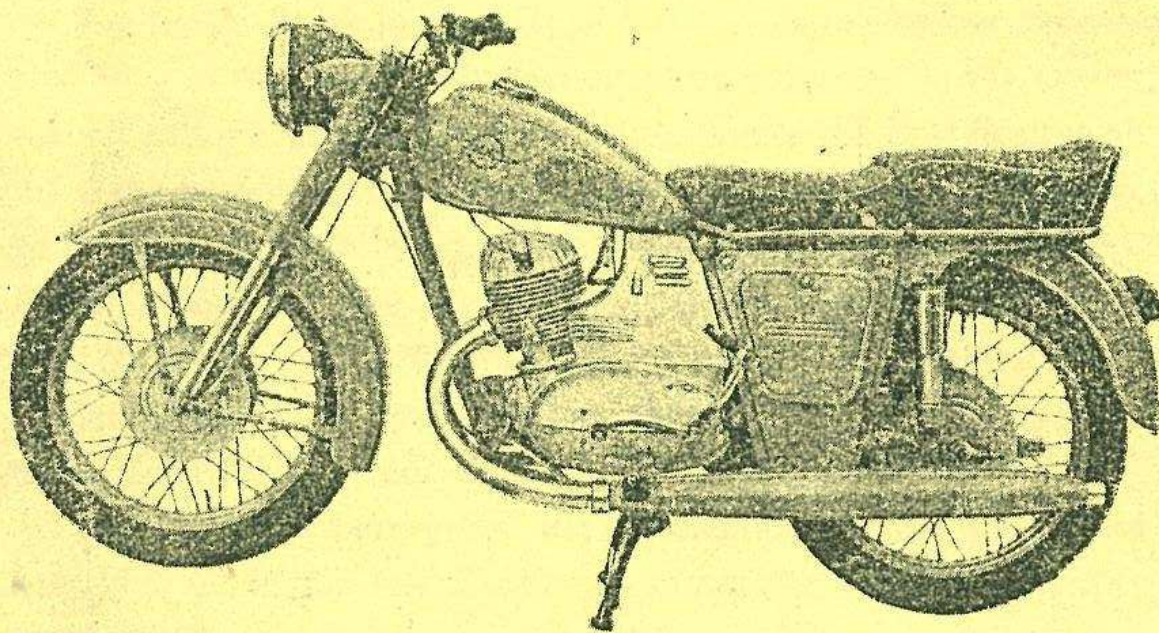


ИЖ-56 MOTOR CYCLE

PARTS CATALOGUE



VSESOJUZNOJE OBJEDINENIJE
"AVTOEXPORT"
MOSCOW U.S.S.R.

CONTENTS

	Page
Foreword	3
Specifications	4
Units Index	8
Parts and Units	9

FOREWORD

The sketches in the ИЖ-56 Motor Cycle Catalogue show the parts in the order of their assembly into units. All parts, comprised in a particular unit, e.g., gearbox, are grouped together in the Catalogue.

To find the Works No. and description of the part, first find the part in the sketch of the appropriated unit, then in the List of parts find the Works No. and description corresponding to the part No. as indicated in the sketch.

The first column in the List of this Catalogue shows the consecutive Nos. of the parts and assemblies as indicated in the sketch; the second column shows the Works Nos., where the first figures 56 and 49 at the beginning of each No. denote the Mark of the Motor Cycle, while the figures following denote the part or unit No. Example: in the No. 56.1-234, the number 56 denotes the Motor Cycle Mark ИЖ-56, while in the No. 49.1-53, the number 49 denotes the Motor Cycle Mark ИЖ-49 and indicates that the part 49.1-53 is the same as on the ИЖ-49 Motor Cycle.

The third column gives the description of the parts and assemblies, while the fourth column shows the required quantity per Motor Cycle.

For convenience in finding the appropriated unit shown in the sketch, the Catalogue contains a Motor Cycle Units Index.

SPECIFICATIONS

GENERAL DATA

Overall dimensions, <i>mm</i> :	
length	2,115
width	780
height	1,025
Wheel base, <i>mm</i>	1,360—1,400
Road clearance (running weight), <i>mm</i>	not less than 135
Dry weight, <i>kg</i>	not more than 150
Maximum speed, <i>km/hr</i>	not less than 100
Fuel tank capacity, <i>l</i>	15
Fuel consumption on highway	not more than 4.5
	litres per 100 <i>km</i>
Radius of operation on highway, <i>km</i>	180
Gearbox capacity, <i>l</i>	1
Fuel: Gasoline, 66 Octane Number, with engine oil "Avtol", grade 6—10; gasoline—oil ratio 20 : 1 for a new motor cycle and 25 : 1 for a run-in motor cycle.	

ENGINE

Type of engine	two-cycle with return loop-type double-flow scavenging
Number of cylinders	1
Cylinder bore, <i>mm</i>	72
Piston stroke, <i>mm</i>	85
Cylinder capacity, <i>cu.cm</i>	346

RUNNING GEAR

Frame	tubular non-detachable
Front fork	telescopic type with hydraulic shock-absorbers
Rear suspension	pendulum gear with hydraulic shock-absorbers
Wheels	interchangeable
Tyre size	3.25 "X19"
Tyre pressure, kg/sq.cm:	
front wheel	1.5
rear wheel	1.8 (without pillion rider)
.....	2.3 (with pillion rider)
Brakes	shoe-type

Maximum power, H.P.	not less than 13
Cooling system	air
Lubrication system	mixture-method lubrication
Carburettor type	K-285
Air cleaner type	centrifugal

ELECTRICAL EQUIPMENT

Ignition system	storage battery
Ignition coil	ИЖК-56 assy 39 (KMO I)
Spark plugs	A8Y
Ignition timing	automatic
Storage battery	3-MT-7 (6 V, 7 A/hr)
Dynamo	Г36М (6 V, 45 W)
Relay-regulator	double-stage
Horn	C-23
Head light	ФГ-6Б
Other devices	tail light, dipper switch with horn button

TRANSMISSION

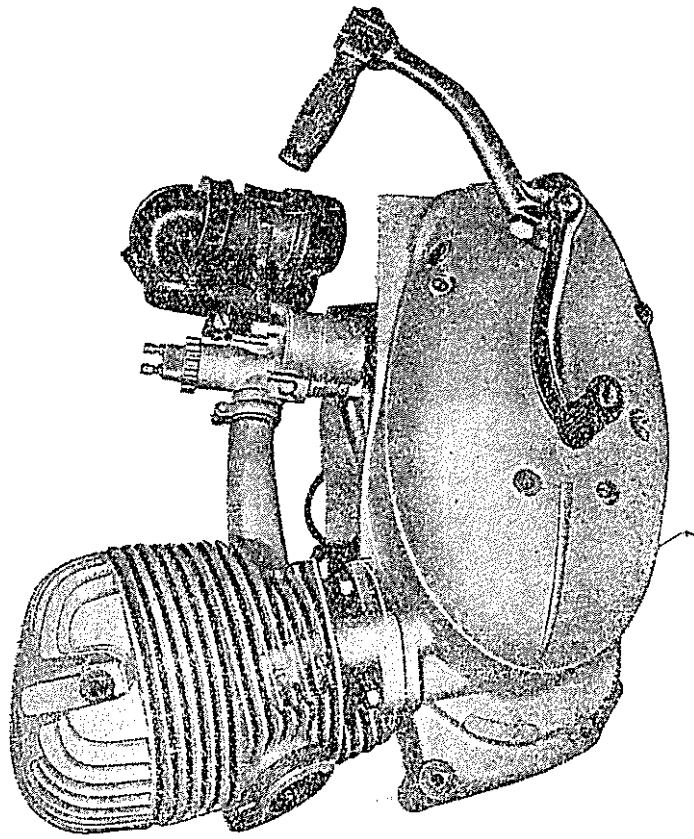
Drive from engine to clutch	rollerless double-row chain
Clutch	multi-disc type, in oil bath
Gearbox	four-speed two-stage type
Gear shifting	foot pedal and hand lever
Drive from gearbox to rear wheel	roller chain
Gear ratio from gearbox to rear wheel	2.47
Gearbox gear ratios:	
first gear	4.32
second gear	2.24
third gear	1.4
top gear	1
Total gear ratio:	
first gear	23.14
second gear	12.0
third gear	7.50
top gear	5.36

UNITS INDEX

Description	Fig. No.	Page
Engine, complete	1	9
Cylinder	2	10
Crankshaft	3	11
Crankcase	4	14
Neutral gear shift mechanism	5	14
Fuel system	6	15
Carburettor	7	16
Air cleaner	8	19
Carburettor guard	9	21
Exhaust system	10	21
Drive frame crankshaft to clutch	11	23
Clutch and clutch control	12	25
Gearbox	13	25
Gear shift mechanism	14	27
Kick-starter	15	28
Drive to rear wheel	16	29
Frame	17	32
Pendulum type fork	18	32
Rear wheel suspension	19	33
Front fork	20	35
Wheels, spindles, tyres	21	38
Handlebar and its fixing	22	39
Front brake	23	42
Rear brake	24	44
Double saddle	25	44
Driver's saddle	26	46
Passenger's saddle	27	48
Wheel mudguards	28	50
Tool boxes	29	50
Generator, breaker and spark advance control	30	53
Ignition coil, spark plug, dipper switch and horn	31	54
Relay-regulator unit, tail lamp, storage battery and stop signal switch	32	55
Headlamp and main switch	33	56
Wires	34	58
Speedometer	35	58
Tools and accessories	36	60

PARTS AND UNITS ENGINE, COMPLETE,

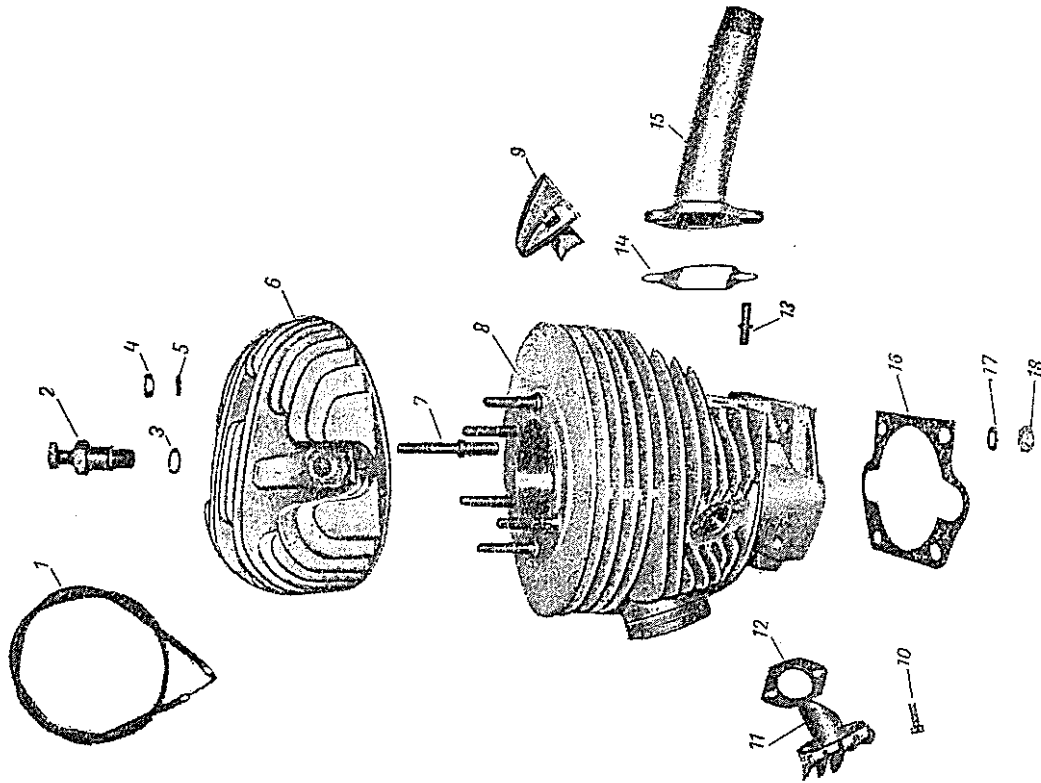
Fig. 1



No. in Fig.	Part No.	Description	Quantity
1	56.c6.1	Engine, complete, integral with gearbox, carburettor, air cleaner, kick-starter levers and gear-shift lever	1

CYLINDER,

Fig. 2



No. in Fig.	Part No.	Description	Quantity
8	56.c6.1-50	*Cylinder with liner	1
6	56.1-201	Cylinder head	1
15	56.1-202-1	Inlet pipe connection	1

No. in Fig.	Part No.	Description	Quantity
16	56.1-204	Cylinder gasket	1
14	56.1-205	Pipe connection gasket	1
7	56.1-206	Cylinder head stud	6
13	56.1-207	Pipe connection stud	2
9	56.1-253	Cylinder blind flange, right-hand	1
11	56.1-254	Cylinder blind flange, left-hand	1
10	56.1-255	Blind flange screw	4
12	49.1-7	Cylinder blind flange gasket	2
4	49.F-7	Nut, pipe connection to cylinder head	8
5	49.IIIF-8	Stud spring washer, pipe connection to cylinder head	8
2	49.c6.1-27	Decompressor, complete	1
3	49.1-155	Decompressor adjusting washer	1
1	49.c6.12-6	Decompressor cable	1
18	49.F-10	Cylinder nut	4
17	49.IIIF-9	Spring washer	4

CRANKSHAFT,

Fig. 3

No. in Fig.	Part No.	Description	Quantity
16	49.c6.1-7	Crankshaft, complete	1
12	49.c6.1-29-1	Crankshaft right-hand oil seal	1
11	49.c6.1-40-2	Crankshaft left-hand oil seal	2
20	49.1-101	Right-hand oil seal cover	1
8	49.1-118	Washer	1
7	49.1-119	Bearing set ring	1
13	49.1-121	Crankshaft oil baffle washer	1
17	49.1-122	Crankshaft key for generator	1
15	49.1-125	Crankshaft key for sprocket	1
6	49.1-127	Corrugated washer for sprocket	2
19	49.1-162	Oil seal cover gasket	1
10	49.1-167	Bearing set ring	1
14,18	113-2505F	Roller bearing	2
9	304	Ball bearing	1
5	49.1-13-1	Connecting rod small end bush	1
21	49.B-25	Right-hand oil seal cover screw	4
2	56.1-256	Piston	1
1	49.1-1	Piston ring	3
3	49.1-116	Piston pin	1
4	49.1-117-1	Lock ring	2

X Tikkur Tullat 2-henkilön S6-1-110-1
 Joka on perästä erilliset sivut
 Tarkennus on 48 / 1000000

Fig. 4.

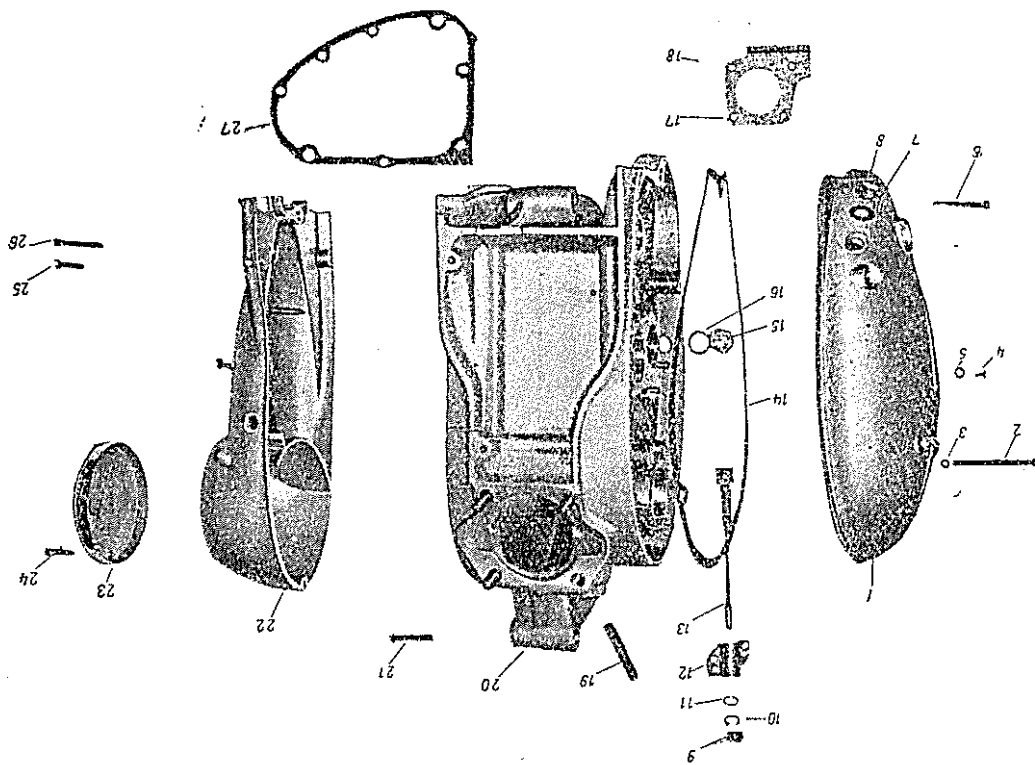
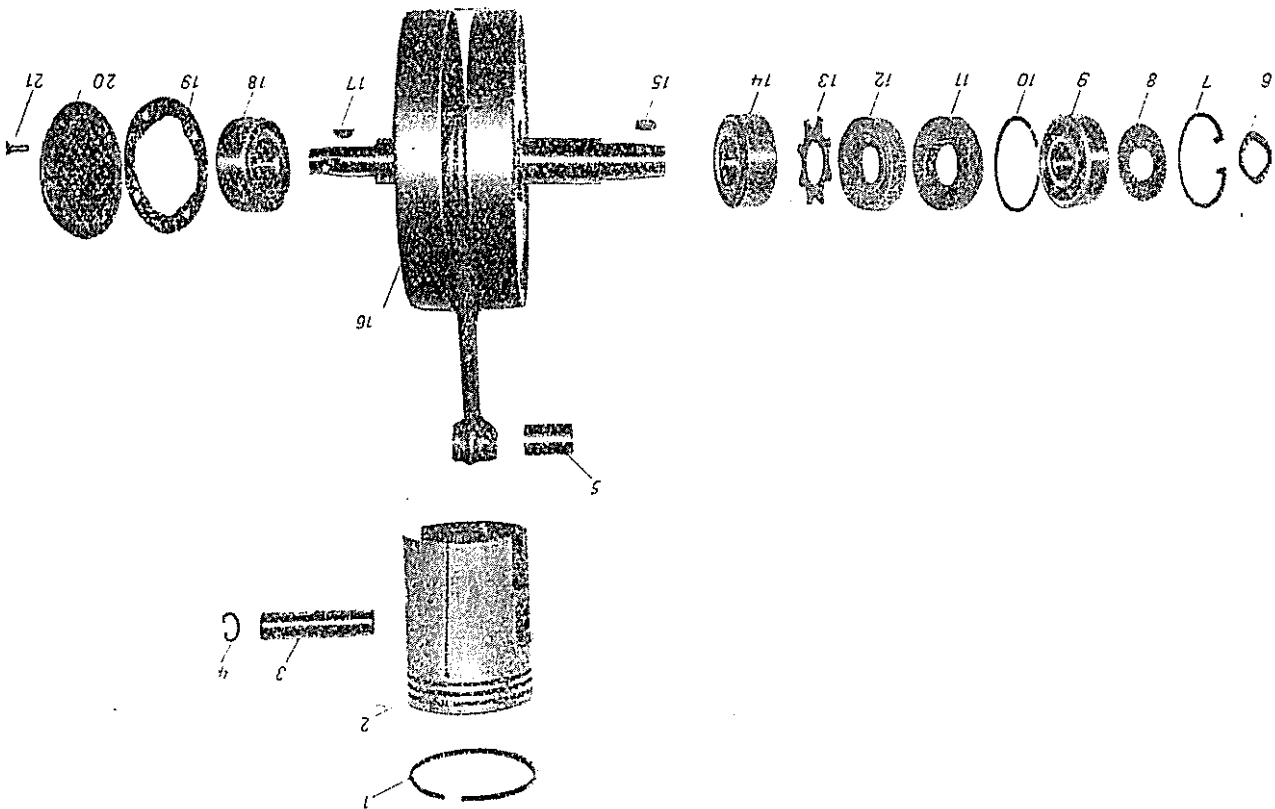


Fig. 3.



CRANKCASE,

Fig. 4

No. in Fig.	Part No.	Description	Quantity
20	56.c6.1-53	Crankcase, complete	1
9	56.c6.1-66-4	Speedometer gearing oil seal	1
13	56.c6.1-68	Speedometer gearing shaft	1
19	56.1-208	Cylinder stud	4
1	56.1-211	Crankcase left-hand cover	1
22	56.1-212	Crankcase right-hand cover	1
14	56.1-214	Crankcase left-hand cover gasket	1
17	56.1-218	Stop strip	1
8	56.1-228	Filler plug	1
5	56.1-229	Inspection hole plug seal washer	1
7	56.1-230	Seal washer	1
16	49.1-181	Drain plug seal washer	1
12	56.1-244	Speedometer gearing body	1
11	56.1-249	Speedometer gear thrust washer	1
10	56.1-250-1	Speedometer gear lock ring	1
15	49.1-83	Drain plug	1
23	49.1-123	Generator cover	1
27	49.1-159	Gearbox cover gasket	1
3	49.c6.1-43	Crankcase left-hand cover gasket	4
6	49.B-1	Crankcase left-hand cover screw	3
26	49.B-2	Gearbox cover screw	9
21	49.B-5	Screw for crankcase halves and crankcase right-hand cover	4
25	49.B-8	Crankcase halves screw	2
2	49.B-9	Crankcase left-hand cover screw	3
18	49.B-25	Screw, stop strip to speedometer gearing body	6
24	49.B-40	Generator cover screw	2
4	49.B-58	Inspection hole screw	1

NEUTRAL GEAR-SHIFT MECHANISM,

Fig. 5

No. in Fig.	Part No.	Description	Quantity
5	56.1-274	Neutral contact	1
3	56.1-275	Neutral contact washer	2
4	56.1-278	Insulating tube	1
7	56.c6.1-77	Ratchet, complete	1
6	49.1/36	Ratchet spring	1
8	49.III-2	Cotter pin	1
2	49.IIB-7	Washer	1
1	49.Γ-16	Nut	1

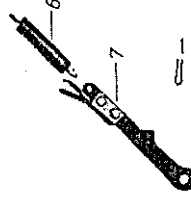
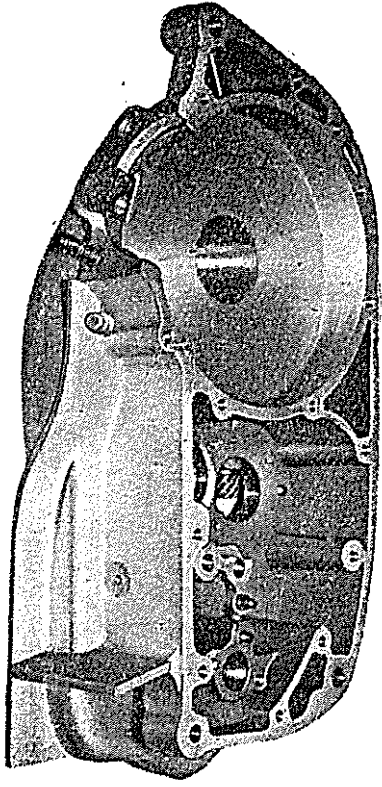
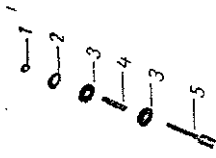


Fig. 5

FUEL SYSTEM,

Fig. 6

No. in Fig.	Part No.	Description	Quantity
7	56.c6.7-8	Fuel tank, complete	1
1	56.0-14	Fuel tank front bolt	1
14	56.0-15	Fuel tank rear end bush	2
2	56.0-32	Fuel tank attaching bush	2
17	56.0-38	Fuel tank hose	1
9	49.Γ-6	Retainer bolt nut	4
11	49.Γ-28	Rubber pad for knee grip	2
10	49.Γ-23	Pad retainer	2
8	49.Γ-25	Retainer bolt	4
5	49.c6.7-4	Fuel tank cover, complete	1
6	56.7-8	Gasket	1

No. in Fig.	Part No.	Description	Quantity
12	49.B-4	Fuel tank rear part bolt	2
4	49. Γ-7	Fuel tank bolt nut	1
3	49.ИГ-8	Lockwasher	1
13	49.ИГ-7	Rear bolt lockwasher	2
16	49.c6.21-1	Fuel cock with settler, complete	1
15	49.0.29	Fuel cock nut	1

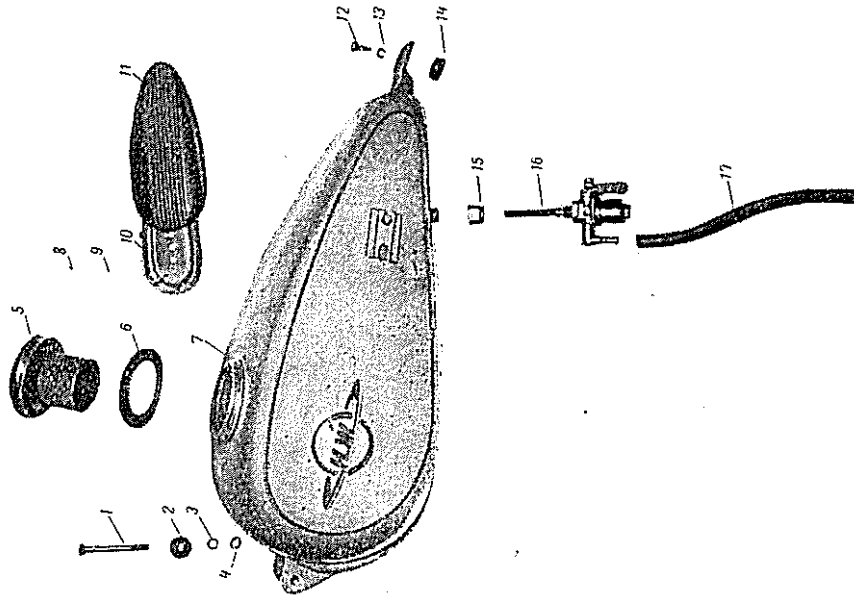


Fig. 6
CARBURETTOR, Fig. 7

No. in Fig.	Part No.	Description	Quantity
1	K28-1107000	Carburettor K-28, complete	1
15	K28-1107101	Carburettor body	1

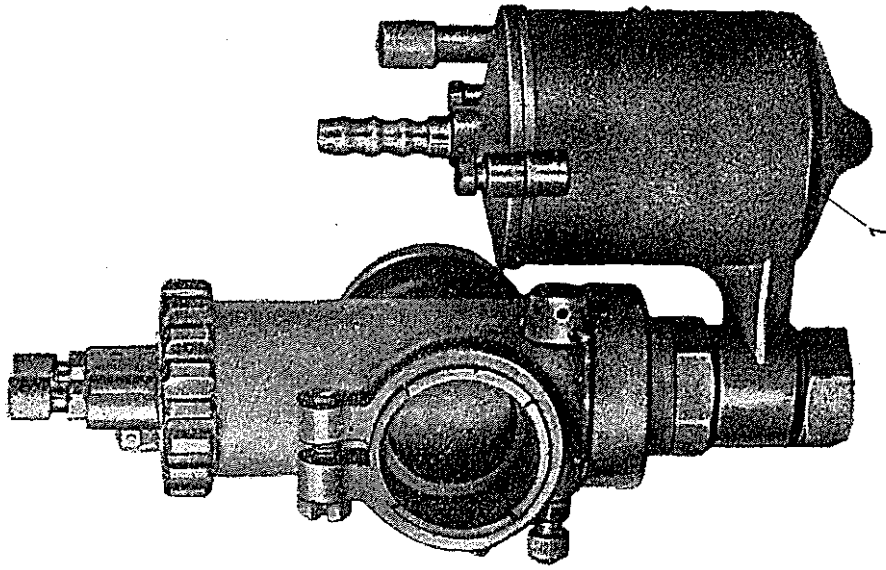


Fig. 7 (1)

No. in Fig.	Part No.	Description	Quantity
18	K28-1107102	Venturi	1
5	K28-1107011	Mixing chamber cover	1
10	K28-1107014	Air control shutter	1
11	K28-1107111	Throttle	1
7	K28-1107112	Throttle needle	1
12	K28-1107113	Throttle needle lock	1
6	K17-13	Throttle spring	1
9	K28-1107015	Shutter spring	1
8	K28-1107016	Spring retainer	1
2	K37-49	Cover nut	1
23	K28-1107019	Main jet	1
25	K28-1107021	Coupling	1
24	K28-1107022	Coupling washer	1
26	K28-1107023-1	Union	1
14	K28-1107017	Clip	1
13	K30-1107014	Clip bolt	1
20	K28-1107103	Bush	1
21	K28-1107104	Emulsion tube	1
3	K40-1107013	Cable guide (cable adjusting screw)	2
17	K28-1107018	Set screw (low speed control screw)	1
16	K37-31	Low speed screw (idling air control screw)	1
31	K40-1107202	Float chamber	1
30	K40-1107210	Float, complete	1
29	K40-1107223	Float needle	1
28	K40-1107230	Float chamber cover	1
4	HO-0806	Nut	4
27	HO-1901	Float chamber cover bolt	2
19	HO-1702	Fibre washer	1
22	HO-1762	Fibre washer	1
32	HO-1759	Fibre washer	2

AIR CLEANER

Fig. 8

No. in Fig.	Part No.	Description	Quantity
2	56.c6.9-0	Centrifugal air cleaner, complete	1
5	56.c6.9-1	Air cleaner body, complete	1
1	56.c6.9-4	Dust collector, complete	1
4	56.9-18	Clamp screw	1
3	49.9-20	Dust collector cover	1
	49.9-21	Seal ring	1

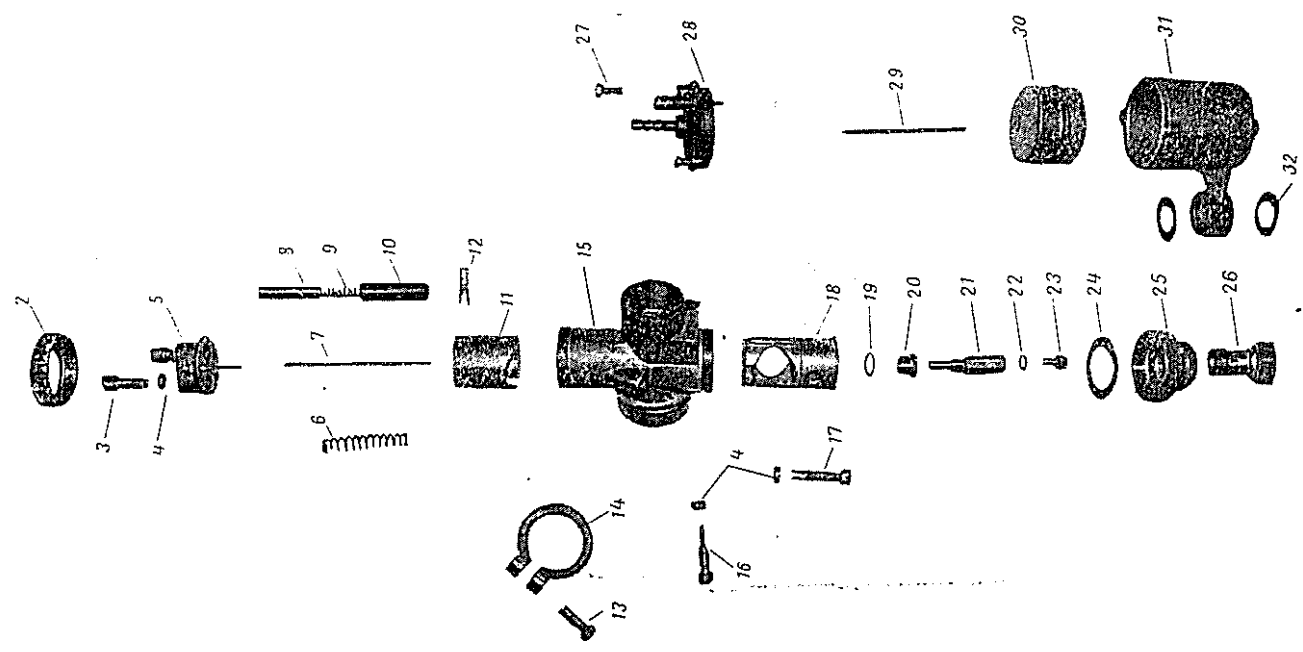
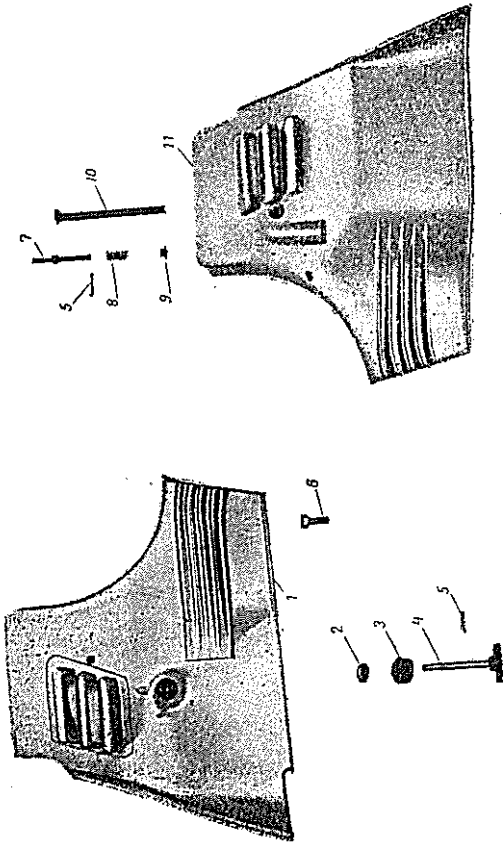


Fig. 7 (2)

CARBURETTOR GUARD,

Fig. 9



No. in Fig.	Part No.	Description	Quantity
11	56.35-1-3	Left-hand guard	1
7	56.35-2	Rod	1
1	56.35-5-3	Right-hand guard	1
10	56.35-6	Guard upper screw	1
4	56.c6.35-3	Air shutter handle	1
2	56.35-12	Stamped washer	1
5	49.IIIIIJ1-2	Cotter pin	2
8	J135.1202-42-2	Spring	1
3	49.0-23	Rubber bush	1
6	49.B-35	Right-hand guard bolt	2
9	56.35-13	Rod end	1

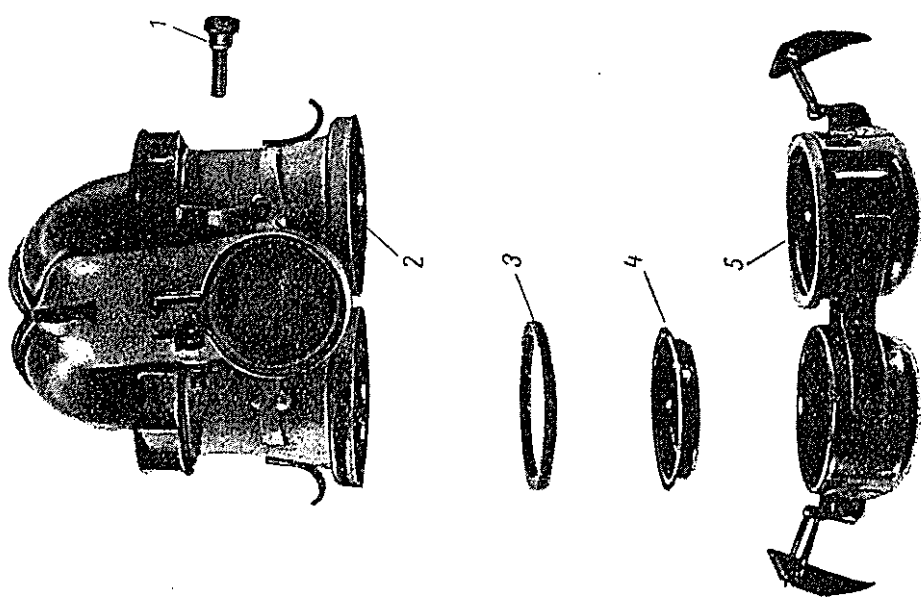


Fig. 8

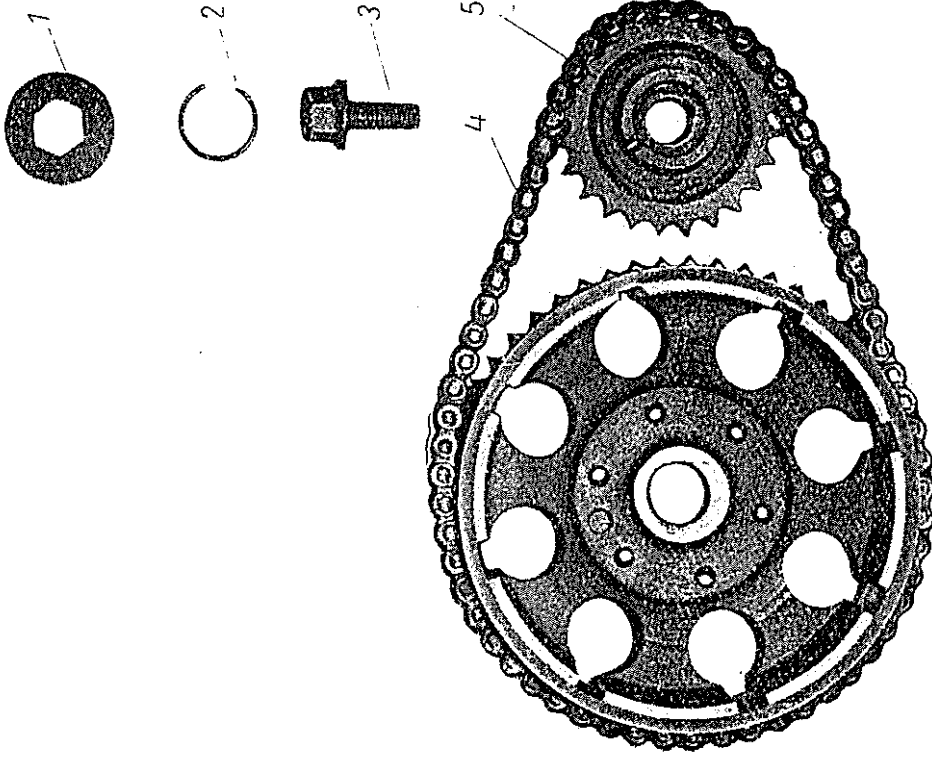
EXHAUST SYSTEM,

Fig. 10

No. in Fig.	Part No.	Description	Quantity
2	56.c6.13-19-2	Left-hand silencer, complete	1
1	56.c6.13-20-2	Right-hand silencer, complete	1
9	56.c6.13-21-2	Left-hand silencer shell	1
8	56.c6.13-22-2	Right-hand silencer shell	1

CRANKSHAFT-TO-CLUTCH DRIVE,

Fig. 11



No. in Fig.	Part No.	Description	Quantity
X 4	ЦМ-1 2P ₂	Bush type rollerless double row chain, 66 links;	1
5	56.1-232	9.52 mm pitch	1
3	56.1-233	Chain sprocket	1
1	49.1-126-1	Sprocket bolt	1
2	49.1-187	Sprocket lock cap	1
		Lock ring	1

X 5,5 x 3,6 mm 6mm rullalla

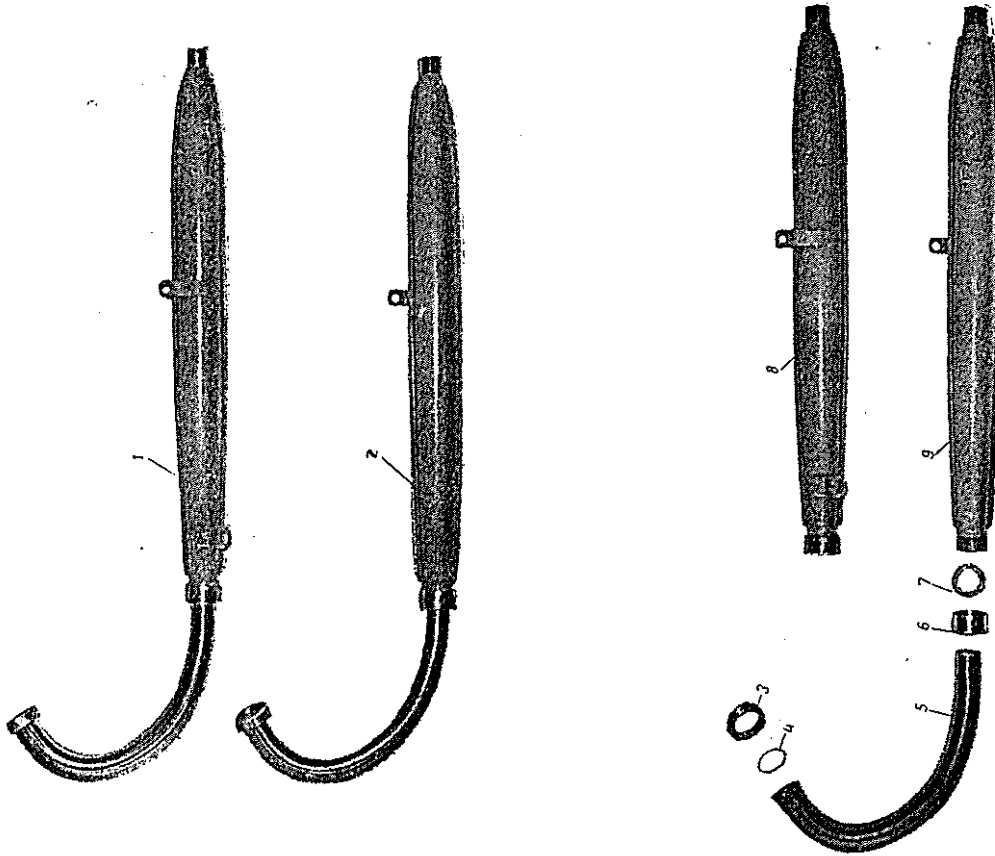


Fig. 10

No. in Fig.	Part No.	Description	Quantity
3	56.13-1	Union nut	2
5	56.13-13-4	Exhaust pipe	2
6	56.13-4	Nut	2
4	56.c5.0.41	Metal-asbestos ring	2
7	49.13 21	Asbestos ring	2

CLUTCH AND CLUTCH CONTROL,

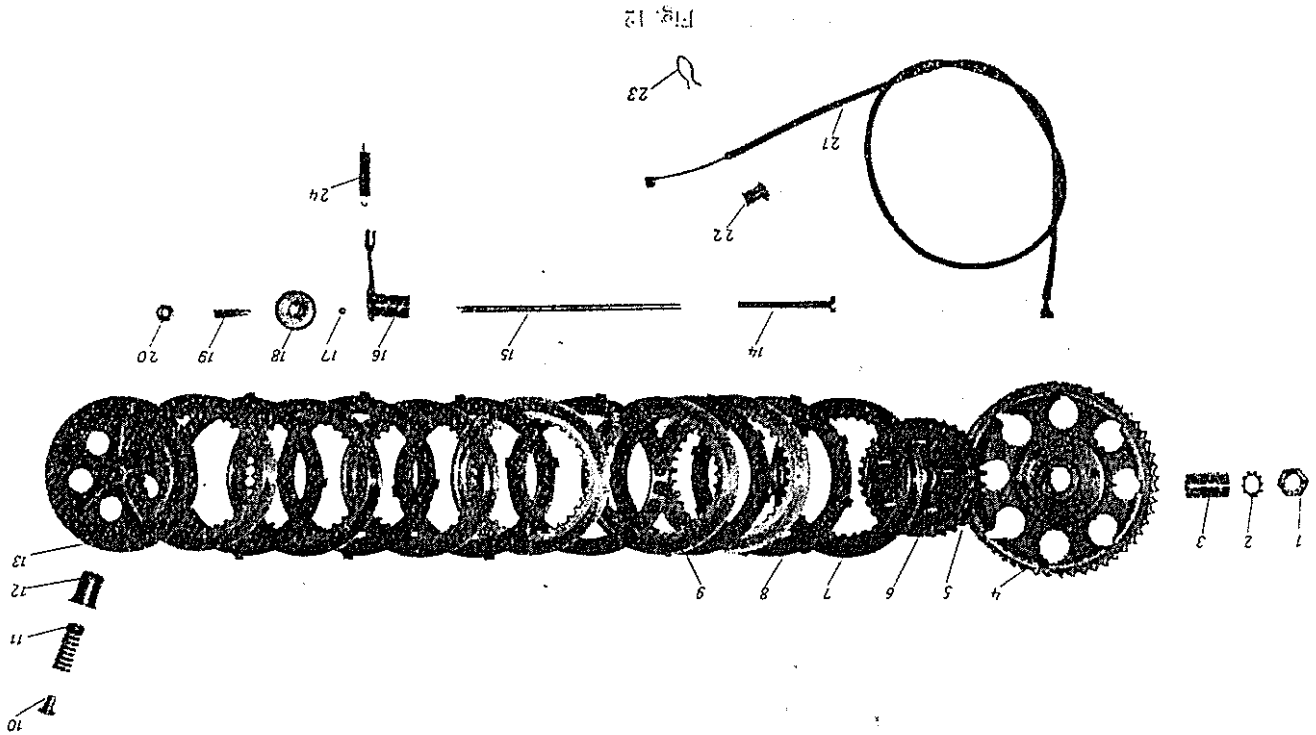
Fig. 12

No. in Fig.	Part No.	Description	Quantity
4	56.1-231	Clutch outer drum	1
5	49.1-67	Clutch inner drum	1
6	49.1-68	Clutch spring bolt	5
9	49.1-158	Clutch driven disc	6
8	49.1-139	Clutch driving disc	6
7	49.1-140	Clutch supporting disc	1
13	49.c6.1-33	Clutch pressure disc	1
3	49.1-142	Spacer	1
11	49.1-143	Clutch spring	5
12	49.1-144	Clutch cap	5
10	49.1-145	Clutch shaped nut	5
1	49.1-14	Clutch inner drum nut	1
2	49.113-11	Clutch toothed washer	1
21	56.c6.12-7	Clutch cable	1
23	49.0-9	Clutch cable end spring	1
22	49.0-8	Clutch cable end	2
16	49.c6.1-24	Clutch worm with lever	1
24	49.1-36	Clutch lever spring	1
18	49.1-80	Clutch worm cap	1
19	49.1-81	Clutch adjusting screw	1
14	49.1-146	Clutch pushrod	1
15	49.1-147	Clutch thrust rod	1
20	49.1-7	Adjusting screw nut	1
17		Ball 6.35 mm dia.	1

GEARBOX,

Fig. 13

No. in Fig.	Part No.	Description	Quantity
2	49.1-38	Drive shaft	1
6	49.1-39	First and fourth speed gear	1
3	49.1-40	Drive shaft second speed gear	1
4	49.1-41	Drive shaft thrust washer	1
5	49.1-42	Drive shaft set ring	1
7	49.1-133	Drive shaft supporting washer	1
1	204	Drive shaft ball bearing	1
19	56.1-216	Layshaft	1
22	49.1-44	Layshaft gear	1
18	49.1-45	Layshaft second speed gear	1
17	49.1-46	Layshaft first speed gear	1
20	49.1-47	Layshaft third speed gear	1



No. in Fig	Part No.	Description	Quantity
21	49.1-48	Layshaft set ring	2
8	49.1-49	Mainshaft	2
16	203	Layshaft ball bearing	1
X 10	ГТТБ 122906	Mainshaft roller bearing	1
13	49.1-129	Mainshaft sprocket lock washer	1
14	49.1-130	Mainshaft nut	1
15	49.1-131	Mainshaft nut cap	1
9	49.1-132	Mainshaft roller bearing spring ring	1
11	49.сб.1-28-1	Mainshaft oil seal	1
12	56.1-257	Mainshaft sprocket = 1.7.1.100.100.100.100.100	1
23	49.1-30	Gearbox cover blind flange	1
24	49.1-31	Lock ring	1

X Оу sama kain 7.119 kerpessa oleva
 № 192906

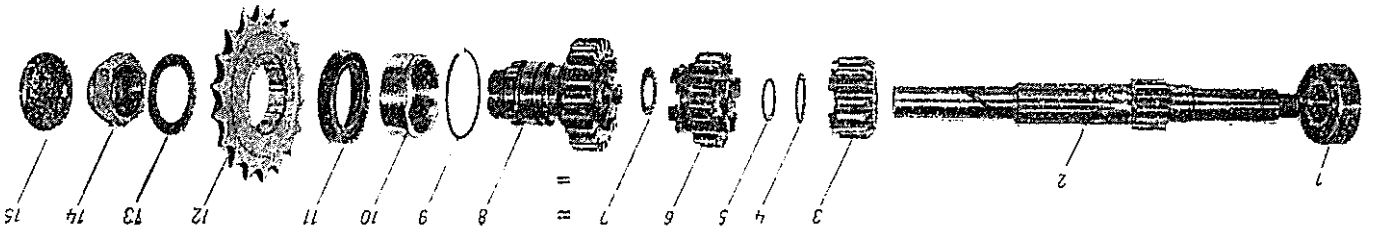


Fig. 13

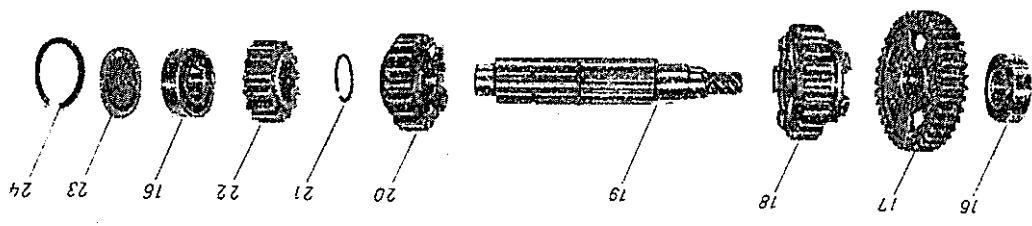
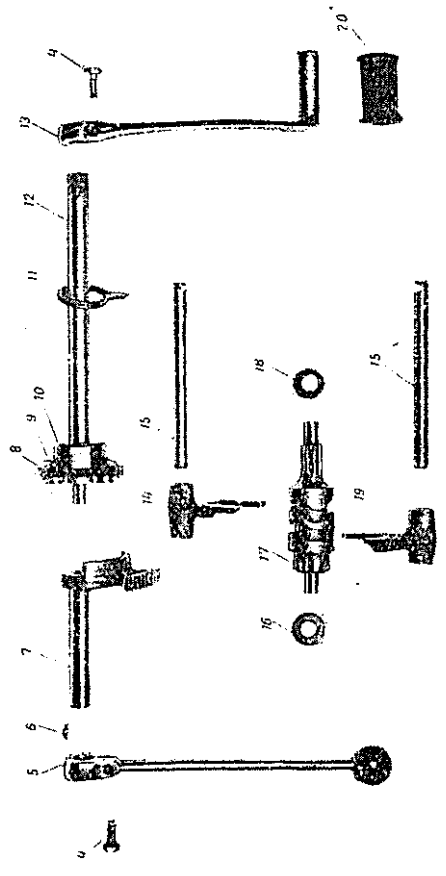


Fig. 14

GEAR SHIFT MECHANISM,



No. in Fig.	Part No.	Description	Quantity
5	56.c6.1-61	Gear shift handle	1
7	56.c6.1-65	Gear shift sector	1
6	49.1-122	Gear shift handle key	1
17	49.1-148	Gear shift shaft	1
14	49.1-150	First and third speed shift fork	1
19	49.1-151	Second and fourth speed shift fork	1
15	49.1-152	Gear shift fork guide shaft	2
18	49.1-153	Gear shift shaft thrust washer	1
16	49.1-154	Gear shift shaft adjusting washer	3
10	49.c6.1-32	Gear shift foot mechanism washer	1
12	49.c6.1-21	Shaft, complete with holder	1
3	49.1-71	Gear shift foot mechanism stop	1
8	49.1-72	Latch	2
9	49.1-74	Latch spring	1
11	49.1-76	Return spring	1
13	49.1-113	Gear shift foot mechanism lever	1
20	49.1-183	Gear shift foot mechanism lever shaft	1
1	49.B-28	Stop fixing screw	2
2	49.H13-6	Toothed washer	2
4	49.B-1	Lever bolt	2

KICK-STARTER,

Fig. 15

No. in Fig.	Part No.	Description	Quantity
4	49.1-53	Kick-starter shaft	1
3	49.1-54	Kick-starter sector	1
2	56.1-234	Kick-starter spring	1
1	49.1-56	Kick-starter spring supporting washer	1
12	49.1-58-1	Kick-starter lever pedal	1
10	49.1-60	Kick-starter lever pedal spring	1
15	49.1-62	Ratchet	1
16	49.1-63	Kick-starter gear	1
17	49.1-64	Kick-starter gear spring	1
18	49.1-65	Gear spring supporting washer	1
19	49.1-66	Washer lock ring	1
6	49.1-134	Kick-starter shaft bush	1
5	49.1-135	Kick-starter shaft ring	1
9	49.1-185	Kick-starter lever	1

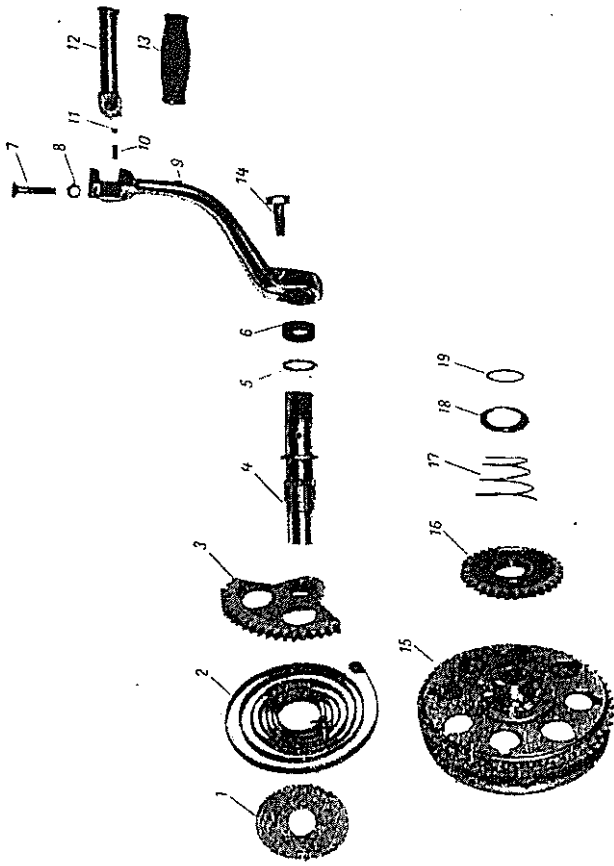


Fig. 15

No. in Fig.	Part No.	Description	Quantity
7	49.B-33	Pedal screw	1
14	49.B-10	Kick-starter lever bolt	1
8	49.H13-10	Bevel toothed washer	1
13	49.1-182	Kick-starter lever pedal shaft	1
11	7/32	Ball 5.5 mm dia.	1

DRIVE TO REAR WHEEL,

Fig. 15

No. in Fig.	Part No.	Description	Quantity
5	11-4	Fulcrum-roller chain	1
4	11M-1c6.3	Chain lock	1
3	56.0-1-3	Rear chain guard	2
11	49.0-139	Chain guard clip	2
2	56.c6.4-41	Sprocket housing	1
15	56.4-42	Sprocket housing cover	1
X 10	56.c6.4-25	Sprocket, complete	1
7	56.4-46	Axle shaft	1
1	56.4-47	Oil seal	1

X Duran pohjasta 202mm = suurin
 Ainevahvuus 6mm. Sisäreikä Ø59mm
 Koppin akselileiheen myös Planetaari 2571

12-11-16-17-18-19-20-21-22-23-24-25-26

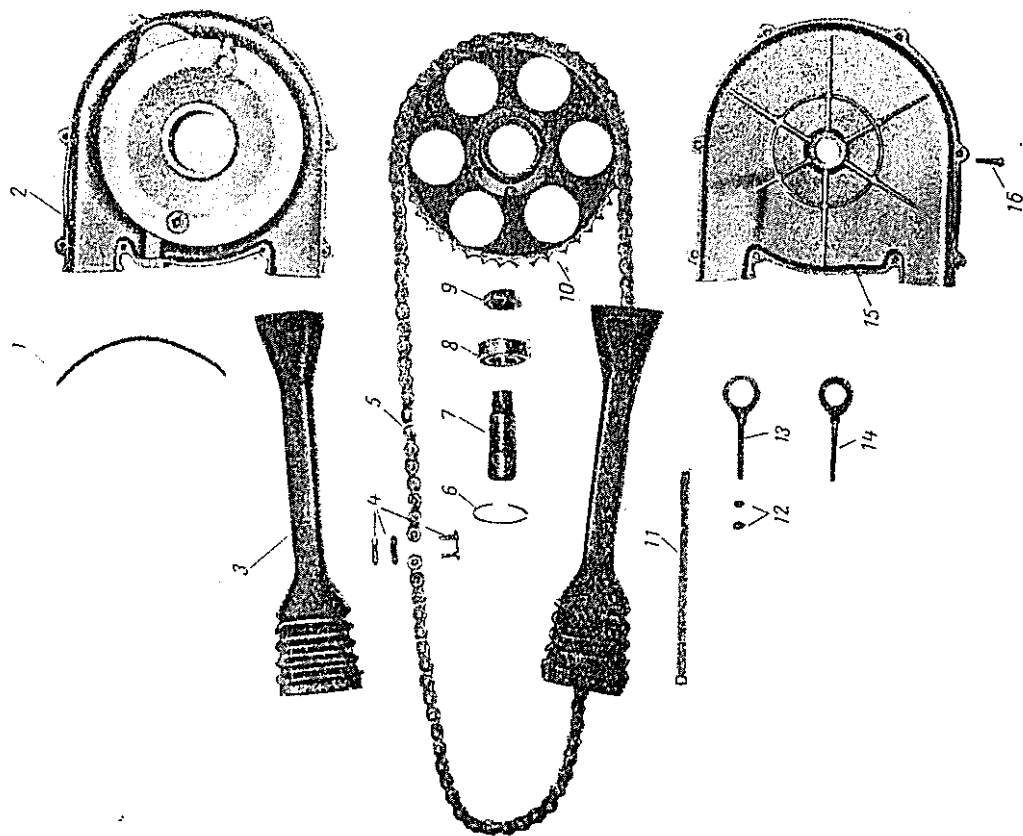


Fig. 16

No. in Fig.	Part No.	Description	Quantity
16	56.A-40	Sprocket housing cover screw	8
8	205	Ball bearing	1
6	49.1-119	Set ring	1
14	56.c6.0-41	Chain tension left-hand shackle	1
13	56.c6.0-40	Chain tension right-hand shackle	1
9	56.0-10	Axle shaft nut	1
12	49.T-6	Chain tension shackle nut	4

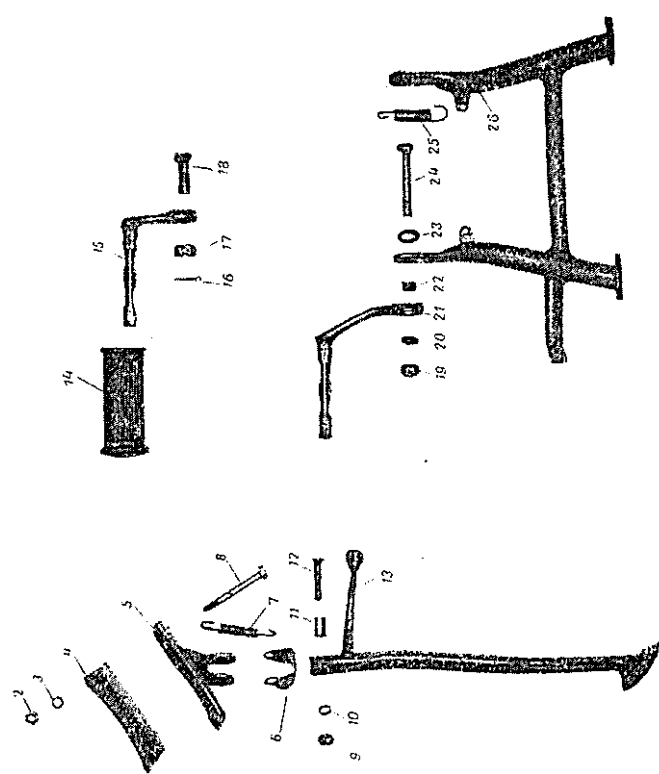
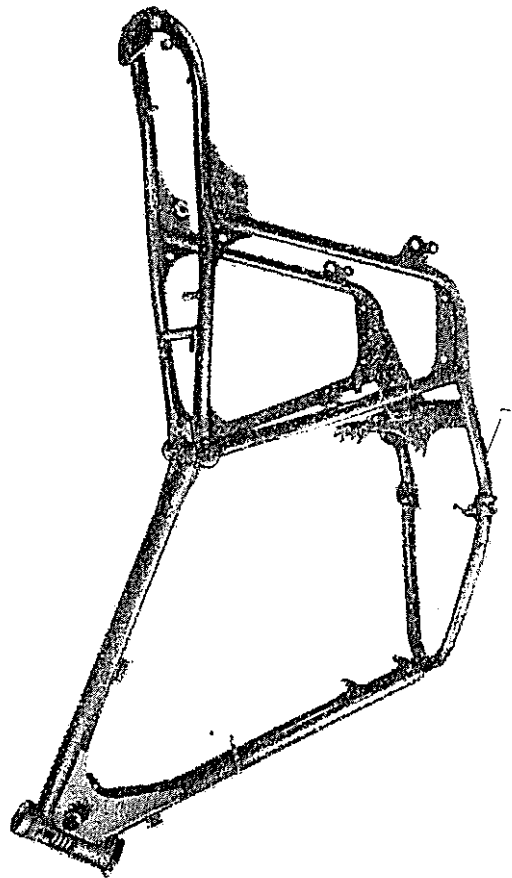


Fig. 17

FRAME,
Fig. 17

No. in Fig.	Part No.	Description	Quantity
1	56.c6.2-19	Frame	1
24	56.2-34	Stand bolt	2
26	56.c6.2-51	Stand, complete	1
21	56.2-65	Driver's footstep	2
23	56.2-44	Stand bolt washer	2
22	56.2-47	Stand spacer	2
25	49.2-58	Stand spring	2
14	49.0-14-1	Footstep roller	4
20	49.IIIF-10	Stand bolt spring washer	2
19	49.F-13	Stand bolt nut	2
18	49.2-141	Footstep bolt	2
17	49.2-142	Footstep bolt nut	2
16	49.2-143	Footstep bolt cotter pin	2
15	56.2-154	Pillion rider's footstep	2
5	56.c6.2-62	Engine and side stop bracket	1
4	56.2-114	Engine right-hand bracket	1
13	49.c6.2-59	Side stop with pedal	1
11	49.2-50	Side stop bush	1
6	49.2-51	Side stop plate	1
7	49.2-52	Side stop spring	1
12	49.B-36	Side stop screw	1
9	49.J-9	Side stop screw nut	1
10	49.IIIF-12	Side stop spring washer	1
8	49.B-9	Engine bracket bolt	6
3	49.IIIF-8	Bracket and engine bolt spring washer	6
2	49.J-7	Bracket and engine bolt nut	6

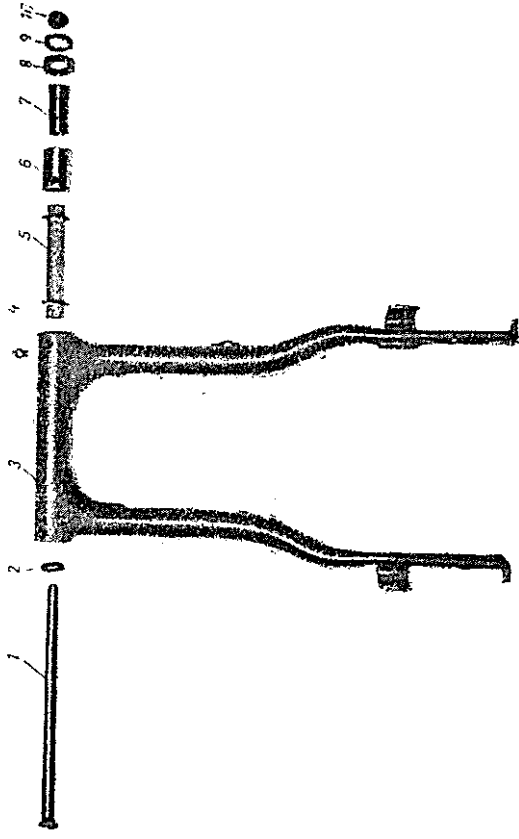


Fig. 18

No. in Fig.	Part No.	Description	Quantity
9	56.2-148	Ring	2
8	56.2-149	Oil seal ring	2
4	49.c6.4-39	Lubricator	2

REAR WHEEL SUSPENSION,
Fig. 19

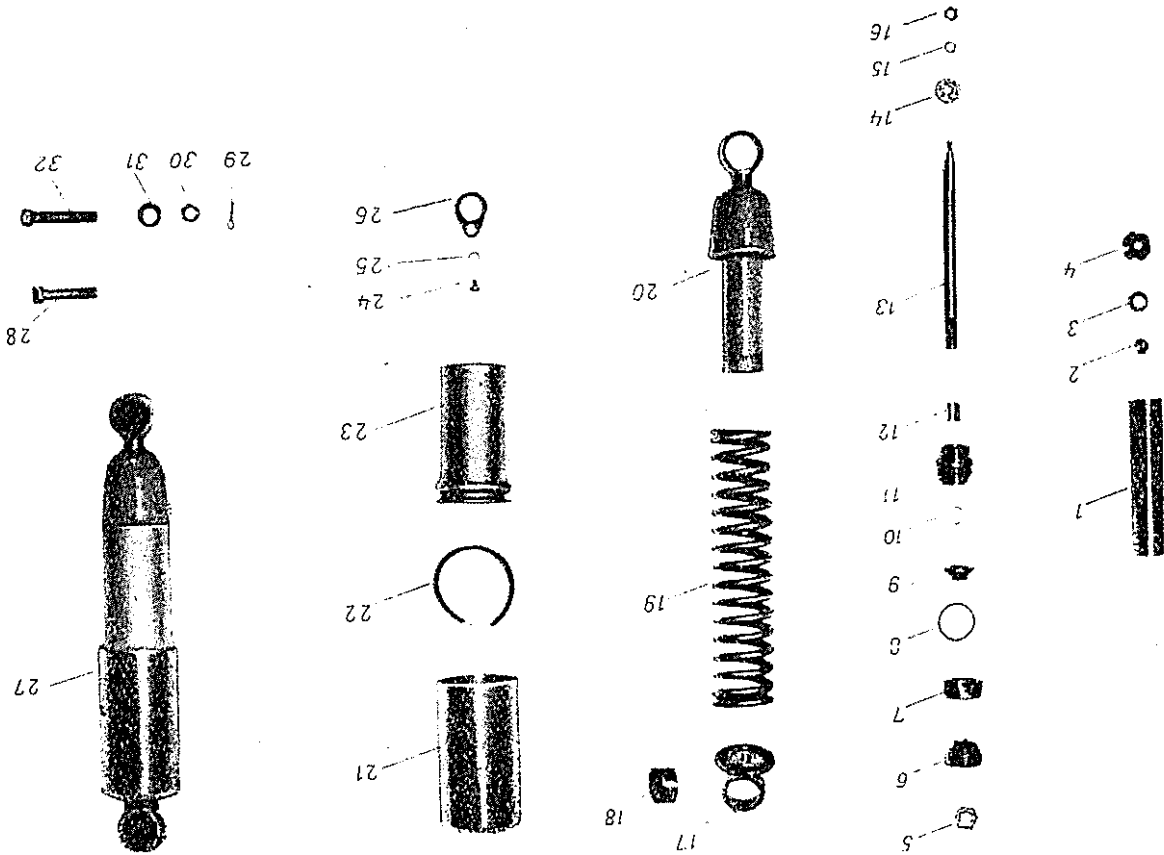
No. in Fig.	Part No.	Description	Quantity
27	56.c6.2-31-1	Suspension, complete	2
20	56.c6.2-32	Suspension housing	2
18	56.c6.2-42	Rubber shock-absorber	4
21	56.2-71	Upper case	2
23	56.2-72	Lower case	2
17	56.2-74	Upper end	2
13	56.2-75	Shock-absorber rod	2
14	56.2-76	Shock-absorber piston	2
19	56.2-77	Spring	2
11	56.2-78-2	Rod bush	2
12	56.2-79-1	Seal ring	2
3	56.2-82	Valve	4
1	56.2-83	Shock-absorber cylinder	2
7	56.2-84	Bush housing nut	2

FRAME PENDULUM FORK,
Fig. 18

No. in Fig.	Part No.	Description	Quantity
5	56.c6.2-23	Spacer tube, complete	1
	56.c6.2-75	Pendulum fork, complete	1
3	56.c6.2-69-1	Pendulum fork	1
1	56.2-41	Pendulum fork axle	1
10	56.2-42	Pendulum fork axle nut	2
2	56.2-44	Washer	2
7	56.2-146	Spacer	2
6	56.2-147	Bush	2

No. in Fig.	Part No.	Description	Quantity
8	56.2-85-1	Bush	2
22	56.2-90	Oil seal	2
2	56.2-92	Lower valve limiter	2
4	56.2-94	Lower valve housing	2
10	56.2-98	Oil seal spring	2
9	56.2-99	Oil seal	2
5	19.Γ-11	Rod upper end nut	2
16	49.Γ-5	Rod lower end nut	2
28	56.2-45	Right-hand suspension bolt	1
30	56.2-46	Suspension bolt nut	3
26	56.2-48	Suspension safety bolt washer	1
32	56.2-50	Suspension bolt	3
29	49.III.Π.7	Cotter pin	3
24	49.B-58	Safety washer screw	1
25	49.III.Γ.4	Spring washer	1
15	56.2-125	Washer	2
6	56.2-126	Bumper	2
31	56.2-151	Suspension bolt washer	3

Fig. 19



FRONT FORK.

Fig. 20

No. in Fig.	Part No.	Description	Quantity
45	56.c6.3	Front fork, complete	1
1	49.c6.3-1	Lower yoke, complete	1
49	49.c6.3-5	Carrying tube left-hand case	1
30	49.c6.3-6	Carrying tube left-hand case	1
50	49.c6.3-18	Hydraulic shock-absorber pillar, complete	2
2	56.c6.3-59	Right-hand sliding tube, complete	1
46	56.c6.3-60	Left-hand sliding tube, complete	1
47	49.c6.19-3-1	Brake washer, complete	1
	49.c6.19-4	Damper pressure disc, complete	1

No. in Fig.	Part No.	Description	Quantity
36	49.06.19-5	Damper handle, complete	1
41	49.3-1	Upper yoke	1
11	49.3-4	Fork main tube	2
10	49.3-8	Fork spring	2
23	49.3-9	Hydraulic shock-absorber rod	2
21	49.3-11	Tie-plug	2
37	49.0-2	Damper spring	2
39	49.3-13	Steering column fork locknut	1
43	56.3-114	Guard cap	1
40	49.0-4	Safety washer	1
38	49.0-1	Supporting disc	1
16	49.3-21	Oil seal body	1
12	49.3-22	Oil seal nut	2
13	49.3-23	Felt oil seal	2
15	49.3-24	Coller spring	2
18	49.3-25	Sliding tube bush	2
25	49.3-26	Hydraulic shock-absorber end	2
27	49.3-29	Rod valve	2
26	49.3-30	Rod piston	2
19	49.3-31	Carrying tube piston	2
9	49.15-31	Hydraulic tube pillar bolt	2
8	49.115-26	Tube seal washer	2
31	49.15-29	Upper yoke tie-bolt	1
3	49.15-58	Sliding tube drain hole screw	1
4	49.115-27	Drain hole screw seal washer	2
5	49.15-27	Sliding tube tie-bolt	2
32	49.15-28	Lower yoke tie-bolt	1
6	49.111-8	Upper yoke and sliding tube tie-bolt spring washer	2
34	49.111-9	Lower yoke tie-bolt spring washer	2
35	49.1-11	Lower yoke tie-bolt nut	2
7	49.1-7	Rod, upper yoke, and sliding tube tie-bolt nut	3
28	49.1-15	Hydraulic shock-absorber rod castle nut	2
42	49.3-42	Ball bearing nut	2
24	49.111-11	Rod valve pin	1
22	49.3-52	Main spring washer	2
14	49.3-61	Oil seal cup	2
33	49.3-68	Cable holder	2
20	49.3-69	Lock ring	1
17	49.3-70	Oil seal nut gasket	2
29	49.111-2	Cotter pin	2
48	49.111-8	Cotter pin	2
44	778706	Supporting ball bearing	1

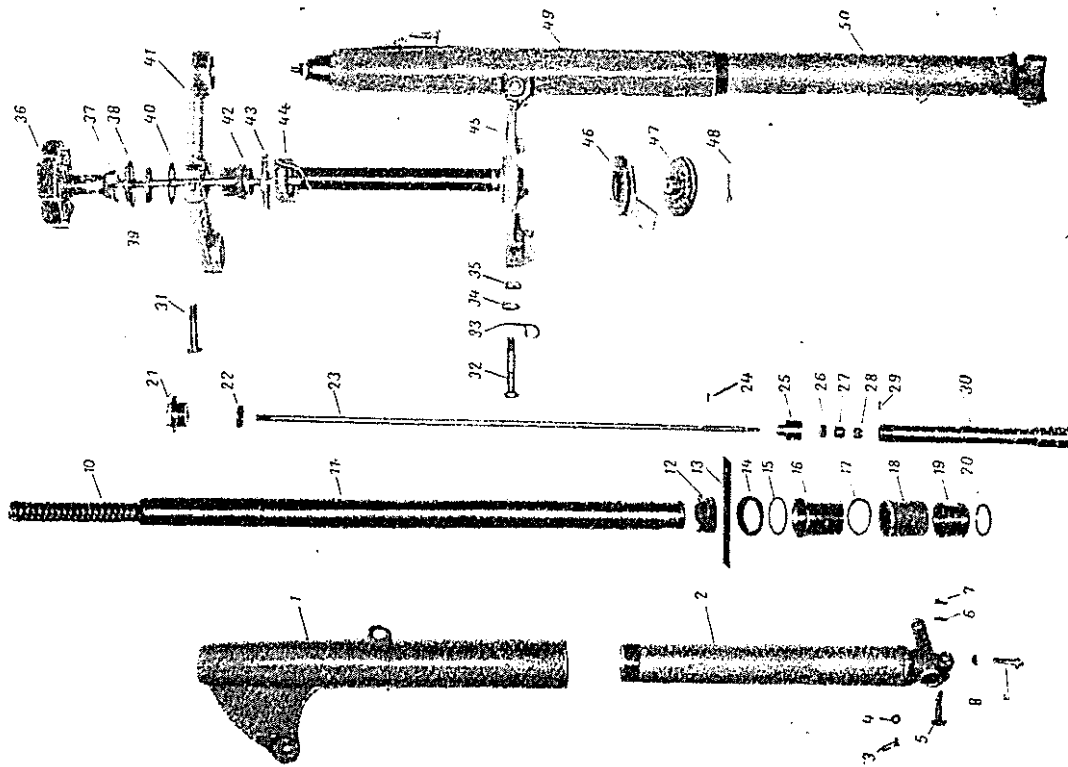
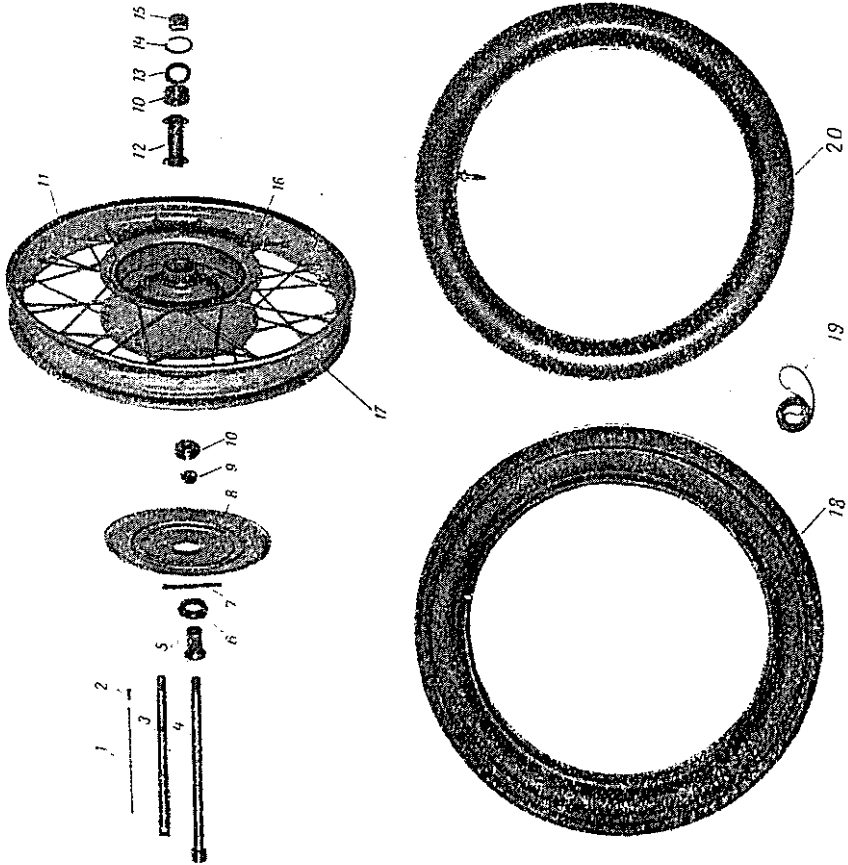


Fig. 20

WHEELS, SPINDLES, TYRES,

Fig. 21



No. in Fig.	Part No.	Description	Quantity
11	56.c6.4-2	Wheel, complete	2
12	56.c6.4-1	Spacer, complete	2
16	56.c6.4-3	Wheel hub	2
8	56.4-3	Cover	2
7	56.4-5	Oil seal	4
9	56.4-6	Supporting bush	2
1	56.4-10	Spoke	72
6	56.4-7	Oil seat body	2
17	56.4-13	Wheel rim	2
2	56.4-14	Spoke nipple	72
13	56.4-15	Wheel hub washer	2

No. in Fig.	Part No.	Description	Quantity
14	49.1-31	Lock ring	2
10	203	Ball bearing	4
5	56.0-3	Spacer	1
4	56.0-6	Rear wheel spindle	1
3	56.0-7	Front wheel spindle	1
15	56.0-9	Rear wheel spindle nut	1
18		Tyre 3.25X19"	2
20		Tyre tube 3.25X19"	2
19		Rim band	2

HANDLEBAR AND ITS FIXING,

Fig. 22

No. in Fig.	Part No.	Description	Quantity
2	56.c6.8-1	Handlebar, complete	1
31	49.c6.8-2	Hand brake lever bracket	1
9	49.c6.8-3	Clutch lever bracket	1
41	49.c6.8-5	Tube with spiral plate	1
38	49.c6.8-7	Ring with stop	1
18	49.8-1	Handlebar	1
17	49.8-6	Decompressor lever body	1
11	49.8-7	Decompressor lever	1
40	49.8-12	Handle washer	1
33	56.8 50	Handlebar right handle	1
27	49.8-14	Air adjusting button lever	1
30	49.8-15	Air adjusting button body	1
26	49.8-16	Air adjusting button body cover	1
28	49.8-17	Air adjusting button flat washer	1
29	49.8-18	Corrugated washer	1
32	49.8-23	Hand brake lever	1
6	49.8-24	Clutch lever	1
4	49.8-26	Clip tie-screw	4
10	49.8-27	Lever bracket clip	2
36	49.8-28	Handlebar right handle rubber tube	1
35	49.8-29	Accelerator handle cap	1
37	49.8-30	Moving insert	1
15	56.8-51	Handlebar left handle	1
5	49.8-33	Spacer	1
14	49.B-41	Decompressor lever screw	1

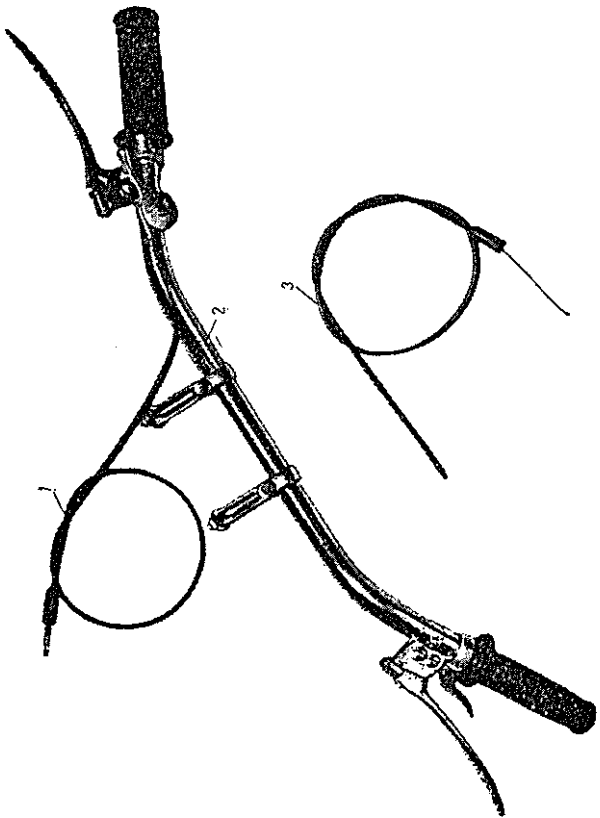


Fig. 22 (1)

No. in Fig.	Part No.	Description	Quantity
16	49.B-44	Decompressor housing stop screw	2
12	49.IIIΓ-5	Spring washer	1
13	49.Γ-2	Decompressor housing screw nut	1
39	49.B-43	Set screw	1
25	49.B-37	Button body screw	1
34	49.B-28	Handle cap attaching screw	1
8	49.Γ-5	Clip tie-screw nut	4
7	49.IIIΓ-5	Spring washer	4
20	49.8-40	Handlebar holder	2
19	49.5-21	Handlebar holder bolt	2
22	49.Γ-7	Handlebar holder bolt nut	2
21	49.IIIΓ-8	Handlebar holder bolt spring washer	2
23	49.Γ-11	Handlebar holder nut	2
24	49.IIIΓ-9	Handlebar holder spring washer	2
3	49.c6.12-6	Air control cable	1
1	56.c6.12-3	Accelerator cable	1

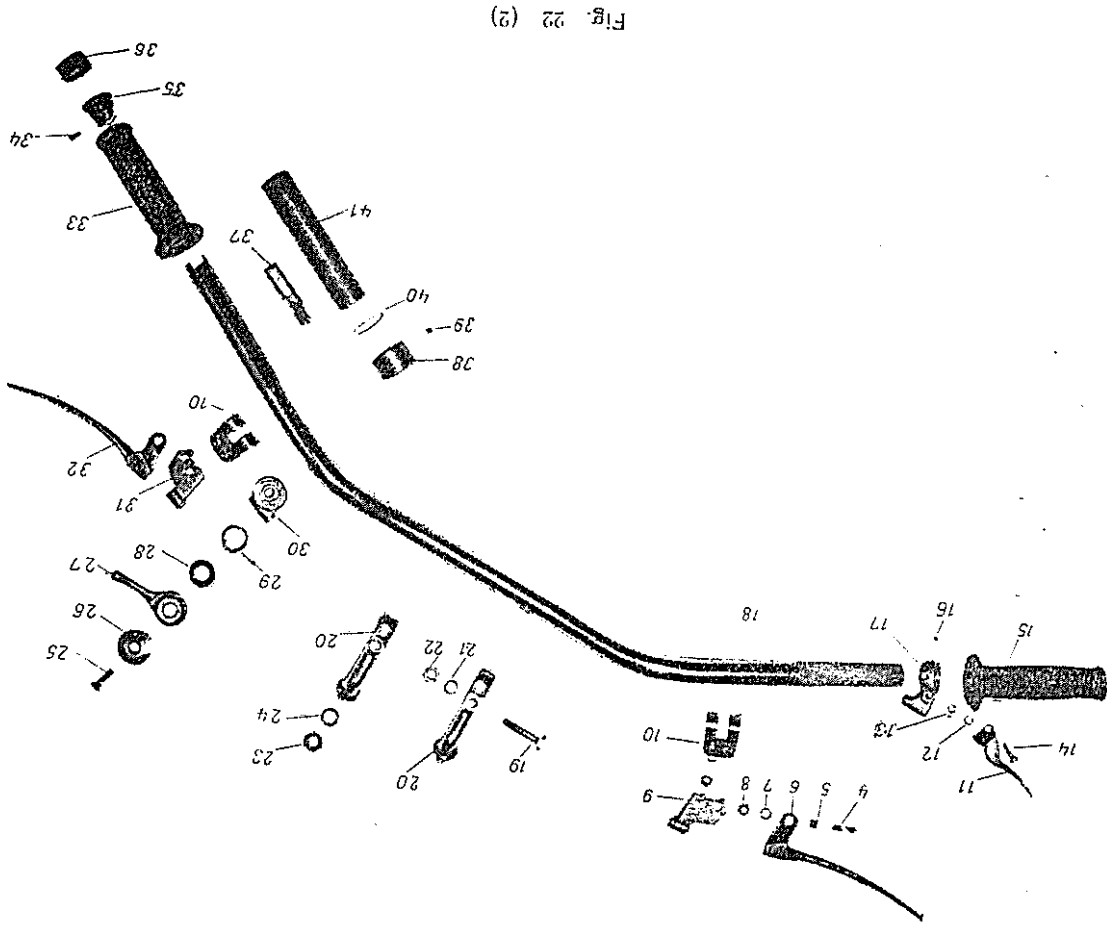


Fig. 22 (2)

FRONT BRAKE.

Fig. 23

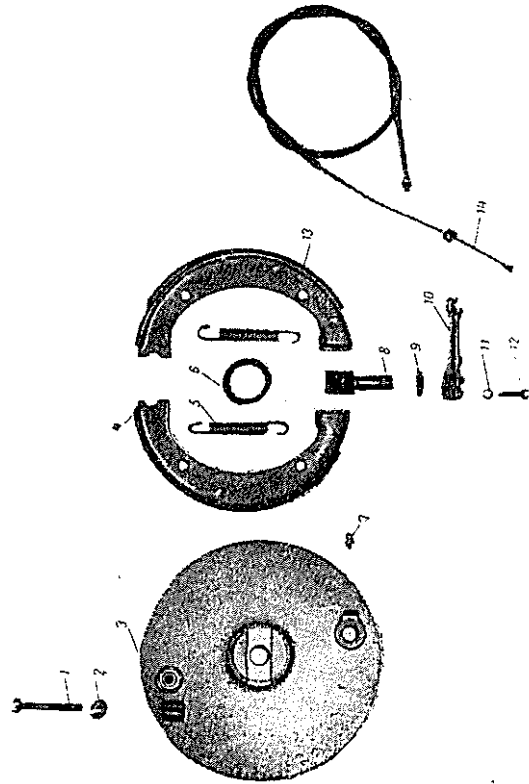
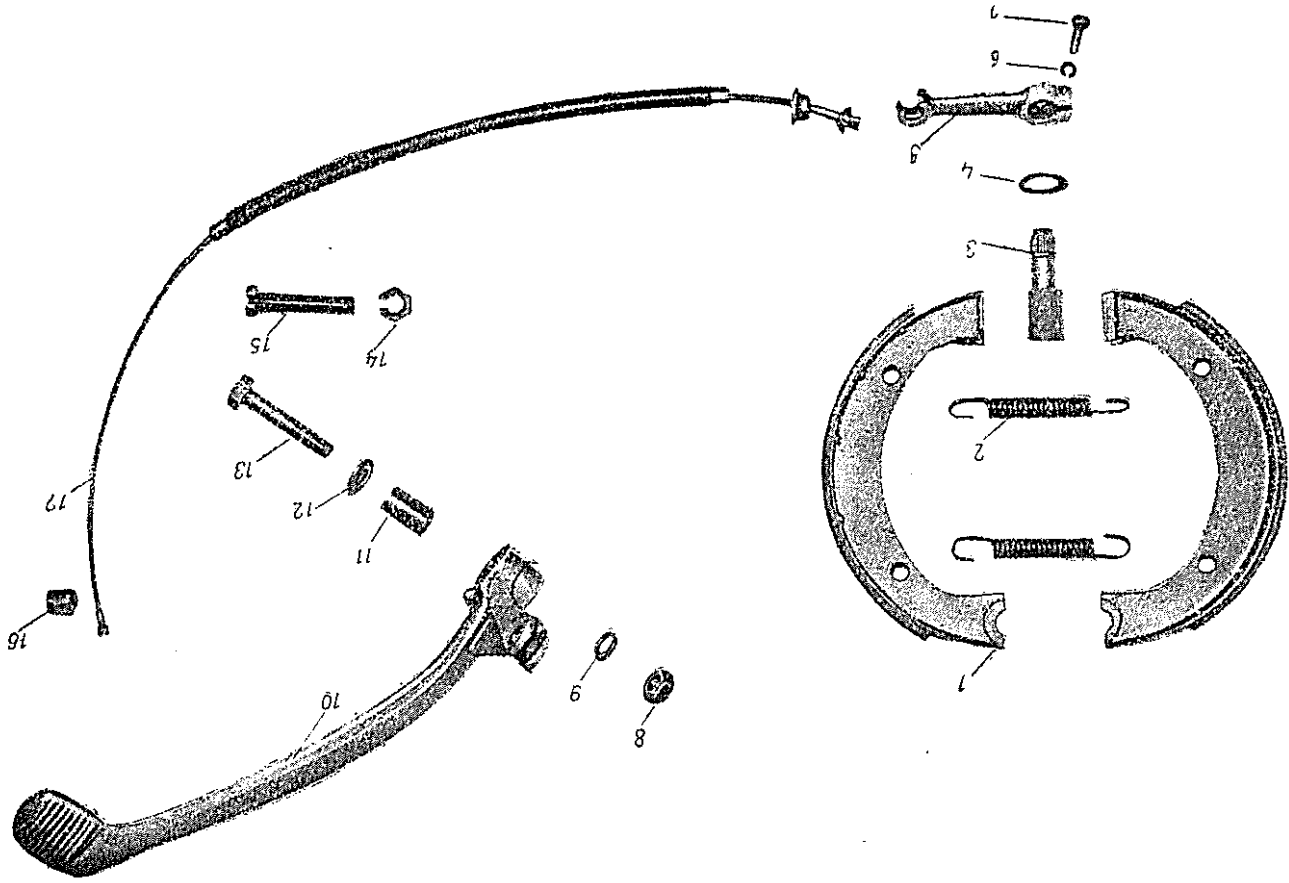


Fig. 24



No. in Fig.	Part No.	Description	Quantity
3	56.c6.4-12	Brake drum cover	1
4	56.c6.4-14	Brake shoe with lining, complete	2
10	56.4-21	Brake lever	1
8	56.4-22	Brake cam	1
9	56.4-23	Brake cam gasket	1
6	56.4-24	Oil seal	1
13	56.4-31	Brake shoe lining	2
12	56.0-11	Brake lever bolt	1
5	49.4-26	Brake shoe spring	2
1	49.4-27	Adjusting bolt	1
2	49.4-28	Locknut	1
7	49.4-39	Lubricator	1
11	49.III-7	Spring washer	1
14	56.c6.12	Hand brake cable, complete	1

REAR BRAKE,
Fig. 24

No. in Fig.	Part No.	Description	Quantity
1	56.c6.4-14	Brake shoe with lining	2
5	56.4-21	Brake lever	1
3	56.4-45-2	Brake cam	1
4	56.4-23	Brake lever gasket	1
7	56.0-11	Brake lever bolt	1
2	49.4-26	Brake shoe spring	2
6	49.III-5	Brake lever bolt spring washer	1
17	56.c6.18-2	Foot brake cable, complete	1
15	56.0-23	Adjusting screw	1
14	56.0-24	Locknut	1
10	56.0-25	Foot brake lever	1
11	56.0-33	Foot brake lever bush	1
13	49.E-20	Brake pedal bolt	1
9	49.III-9	Brake pedal spring washer	1
8	49.F-10	Brake pedal bolt nut	1
12	49.III-B-19	Brake pedal bolt washer	1
16	56.0-25	Cable roller	1

↖ ↗ ↘ ↙

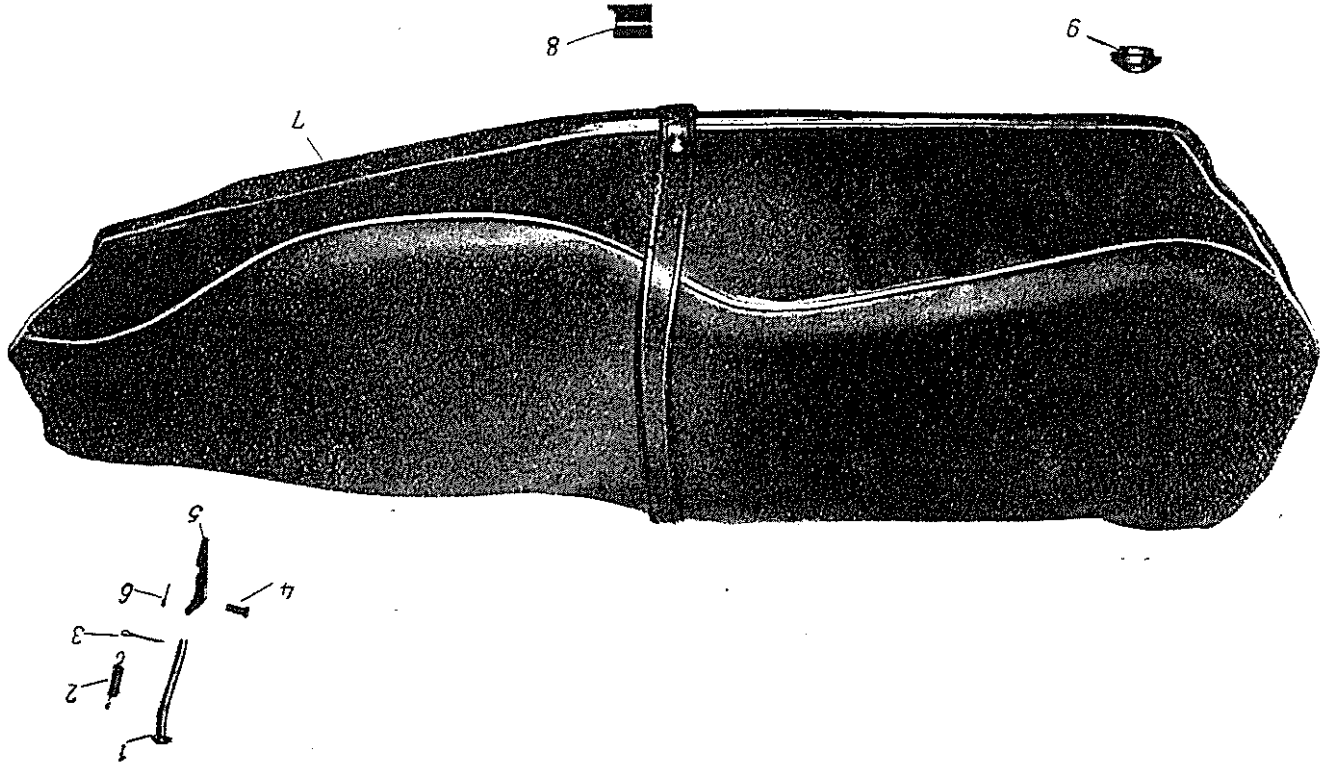


Fig. 25

DOUBLE SADDLE,
Fig. 25

No. in Fig.	Part No.	Description	Quantity
7	56.c6.6	Saddle, complete	1
8	56.6-4-1	Saddle bumper	4
5	56.6-21	Catch	1
1	56.6-23	Push rod	1
2	56.6-26	Spring	1
4	56.6-27	Catch axle	1
3		Collar pin, 2.5×12 mm	1
6		Collar pin, 2×12 mm	1
9	56.0-2	Saddle rear bumper	2

SEPARATE SADDLES,

Figs. 26 and 27

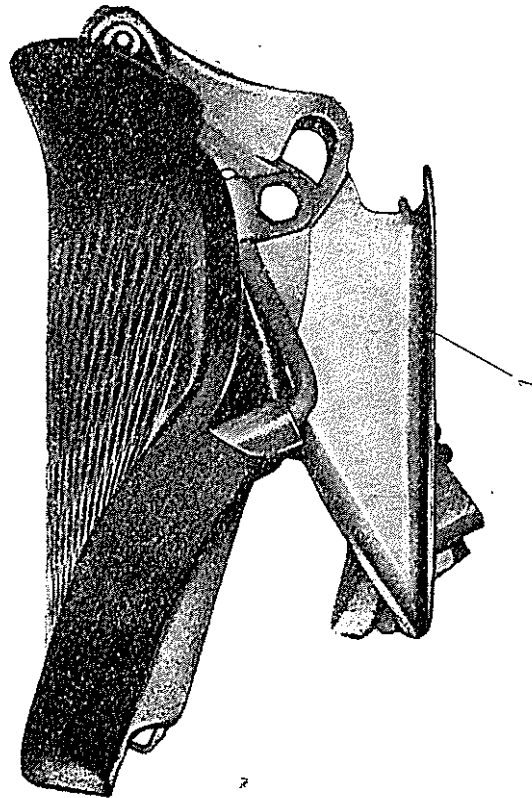


Fig. 26 (1)

No. in Fig.	Part No.	Description	Quantity
-------------	----------	-------------	----------

Driver's saddle, Fig. 26

1	56.c6.6-20	Driver's saddle, complete	1
2	56.c6.6-21	Driver's saddle bracket	1
16	56.6-64	Frame clamp	2
15	56.6-66	Swing clamp right-hand	1
12	56.6-67	Swing clamp left-hand	1
13	49.c6.6-2	Saddle spring, complete	1
22	49.6-9	Saddle back attaching screw	2
17	49.6-10	Saddle bolt ball cap	1
21	49.6-11	Saddle back	1
9	49.6-12	Saddle intermediate bush	1
6	49.c6.6-8	Saddle fulcrum central bolt	1
5	49.6-14	Saddle bush	1
18	49.6-16	Saddle frame	1
20	49.6-17	Saddle covering	1
19	49.B-13	Spring tie-bolt	1
8	49.UIT-8	Spring washer	7

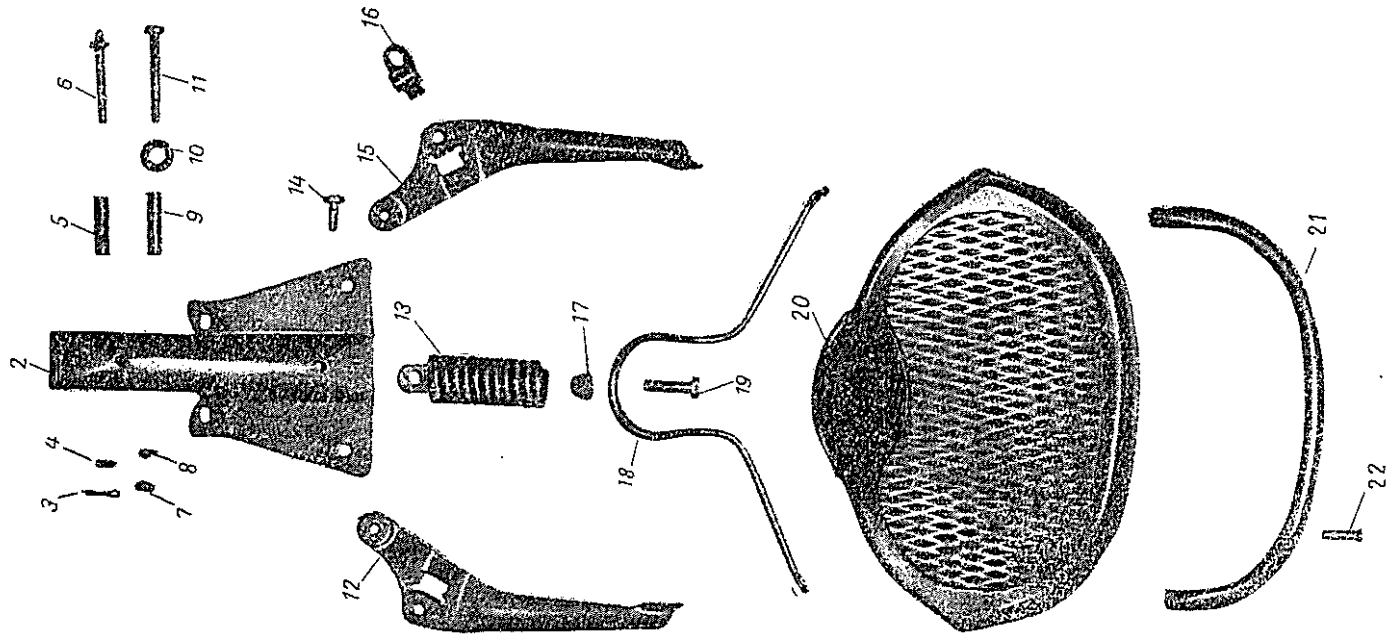


Fig. 26 (2)

No. in Fig.	Part No.	Description	Quantity
7	49.Г-7	Nut	3
10	49.ИИБ-22	Washer	2
4	49.Г-18	Nut	1
3	49.ИИП/И-8	Cotter pin	1
14	56.0-39	Saddle bolt	4
11	49.Б-9	Bolt	1

Passenger's Saddle

1	56.сб.6-10-1	Saddle, complete	1
---	--------------	------------------	---

Note: The ИЖ-56 Motor Cycle can be furnished, on request, with either a double saddle or with separate saddles.

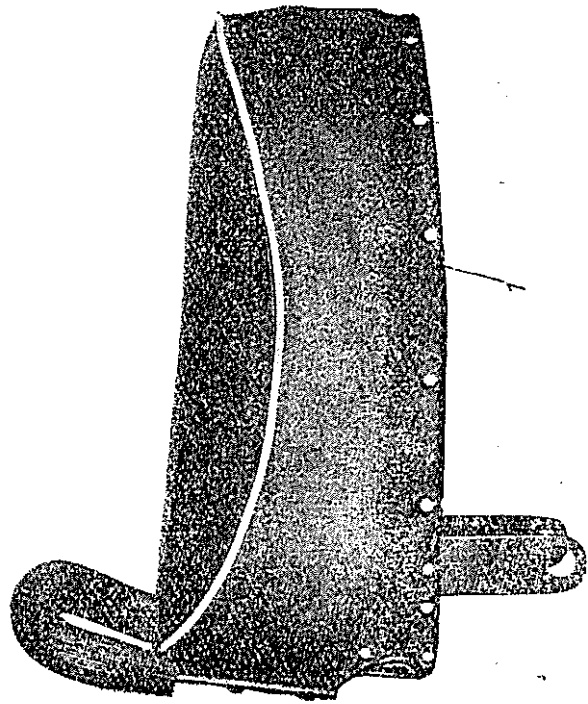


Fig. 27

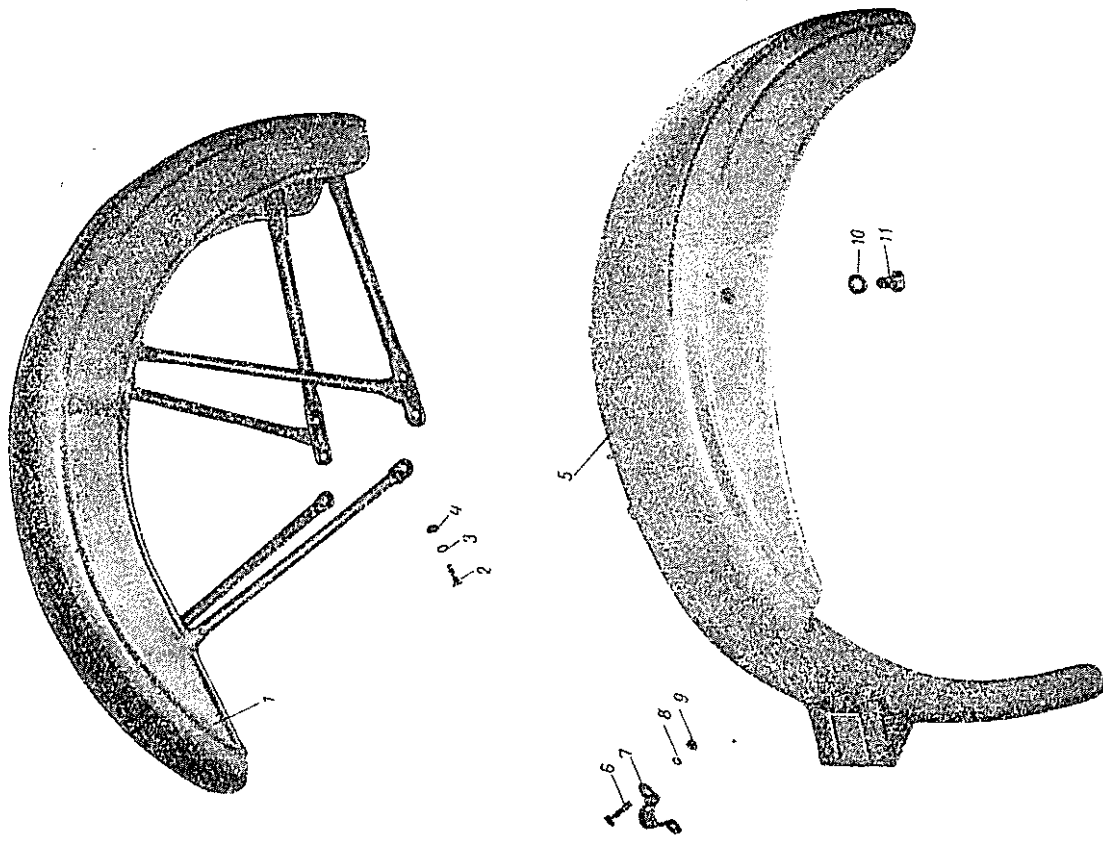
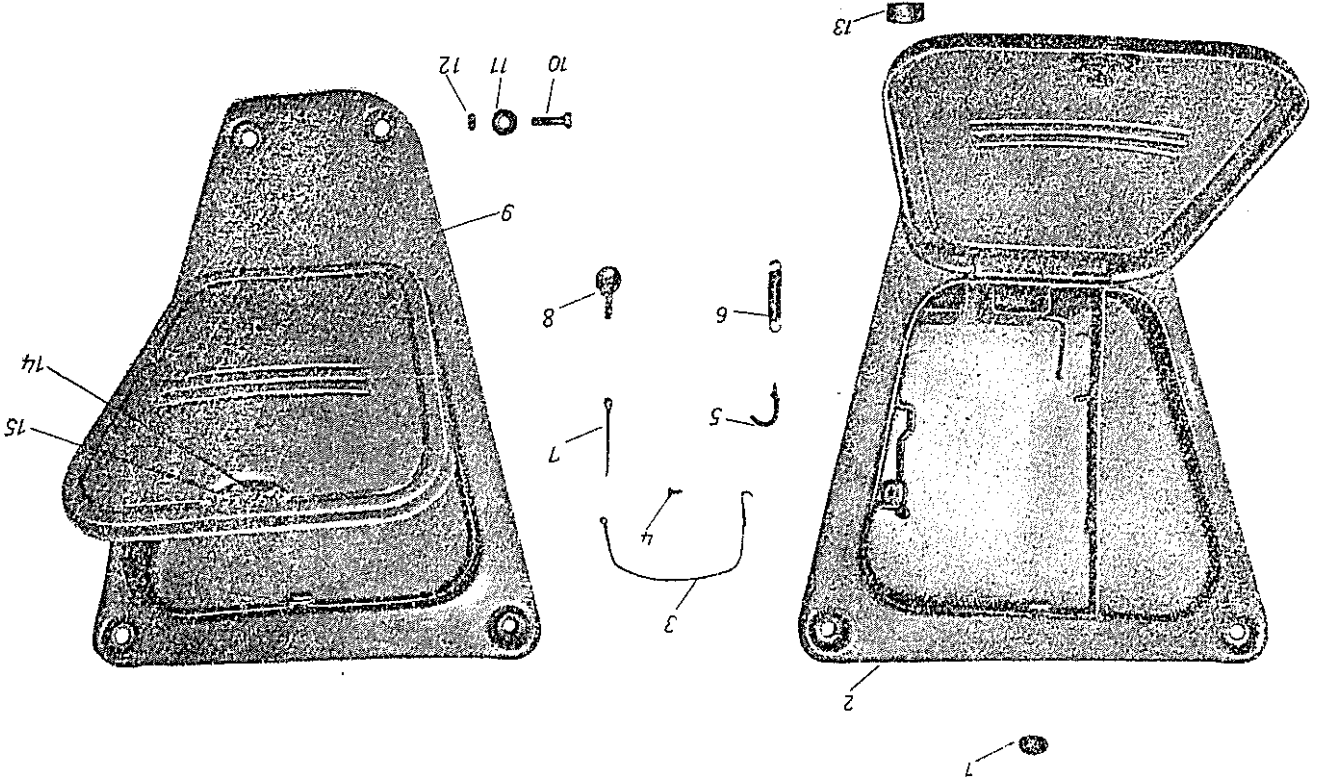


Fig. 28

WHEEL MUDGUARDS,

Fig. 28

No. in Fig.	Part No.	Description	Quantity
1	56.c6.5-1-1	Front wheel mudguard	1
2	56.0-11	Front mudguard bolt	6
4	49.F-5	Front mudguard bolt nut	6
3	49.IIIΓ-5	Front mudguard bolt spring washer	6
5	56.c6.5-2-1	Rear wheel mudguard	1
7	56.0-26	Rear mudguard clamp	1
6	49.B-2	Rear mudguard bolt	3
9	49.F-6	Rear mudguard bolt nut	2
8	49.IIIΓ-7	Rear mudguard bolt spring washer	5
10	49.IIIΓ-14	Washer	3
11	49.B-35	Mudguard upper part bolt	2



TOOL BOXES,

Fig. 29

No. in Fig.	Part No.	Description	Quantity
2	56.c6.15-1	Left-hand tool box with latch	1
3	56.c6.15-2	Battery attaching band	1
14	56.c6.34-1	Latch	2
8	56.34-12	Latch key	1
13	56.15-1	Bumper	4
5	56.15-2	Battery attaching spring hook	1
7	56.15-3	Battery band cotter pin	1
1	56.0-4	Wire terminal bushing	1
6	49.1-36	Battery band spring	1
9	56.c6.15-30	Right-hand tool box with latch	1
15	56.15-18	Rivet	4
10	56.0-16	Tool box bolt	8
11	56.0-17	Tool box bolt washer	8
12	49.F-6	Tool box bolt nut	8
4	49.B-54	"Plus" wire screw	1

ELECTRICAL EQUIPMENT

No. in Fig.	Part No.	Description	Quantity
Generator, breaker and spark advance control Fig. 30			
25	370100M	Generator	1
10	49.5-7	Generator armature bolt	1
9	49.IIIΓ-7	Spring washer	1
14	3701523	Bush spring	2
13	3701530	Generator brushes	2
15	3701525	Brush holder lock	2
3	3701100	Stator	1
2	3701200	Armature, complete	1
1	49.1-122	Generator armature key	1
12	49.B-22	Generator frame screw	2
11	49.IIIΓ-4	Generator frame screw spring washer	2
17	49.IIIΓ-1	Spring washer	2
16	49.B-12	Breaker screw	1
20	49.B-21	Breaker screw	1
18	49.IIIБ-3	Washer	2
19	3701400	Breaker, complete	1
7	49.c6.1-34	Spark advance control mechanism, complete	1
6	49.1-171	Spark advance control restricting plate	1
4	49.1-174	Cam bush	1
5	49.1-175	Breaker cam	1
8	49.IIIБ-14	Washer	2
24	КБГ-М1-400-0, 25III	Condenser	1
23	3701501	Clamp	1
22	49.IIIΓ-3	Spring washer	1
21	49.B-39	Clamp screw	1

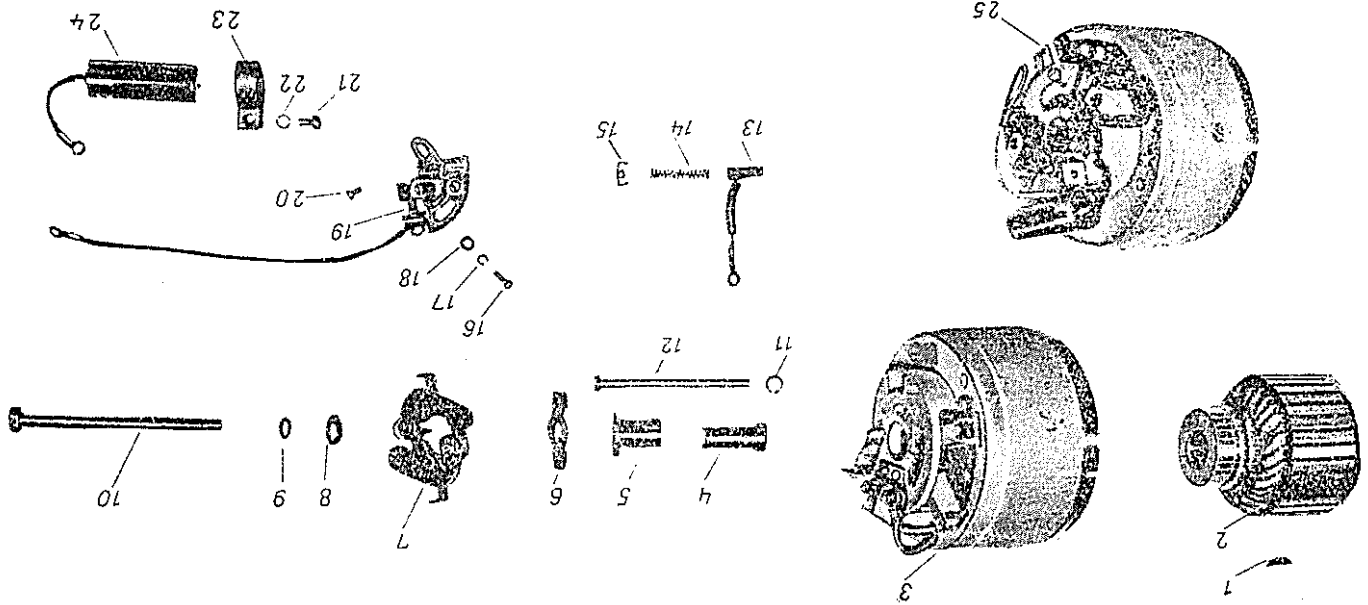


Fig. 30.

Fig. 31

No. in Fig.	Part No.	Description	Quantity
-------------	----------	-------------	----------

Ignition coil, spark plug, dipper switch and horn, Fig. 31

3	56.c6.39	Ignition coil	1
2	56.c6.39.6	Clamp, complete	1
5	A8V	Spark plug with gasket	1
4	Π-25	Dipper switch with horn button, complete	1
1	C-23	Horn	1
8	49.B-8	Horn bolt	1
6	49.Γ-7	Horn bolt nut	1
7	49.IIIΓ-8	Horn bolt spring washer	1
11	49.B-61	Ignition coil screw	2
9	49.Γ-2	Ignition coil screw nut	2
10	49.IIIΓ-4	Ignition coil screw spring washer	2

x 2 zyl. Jupiter A 757C 2043-54

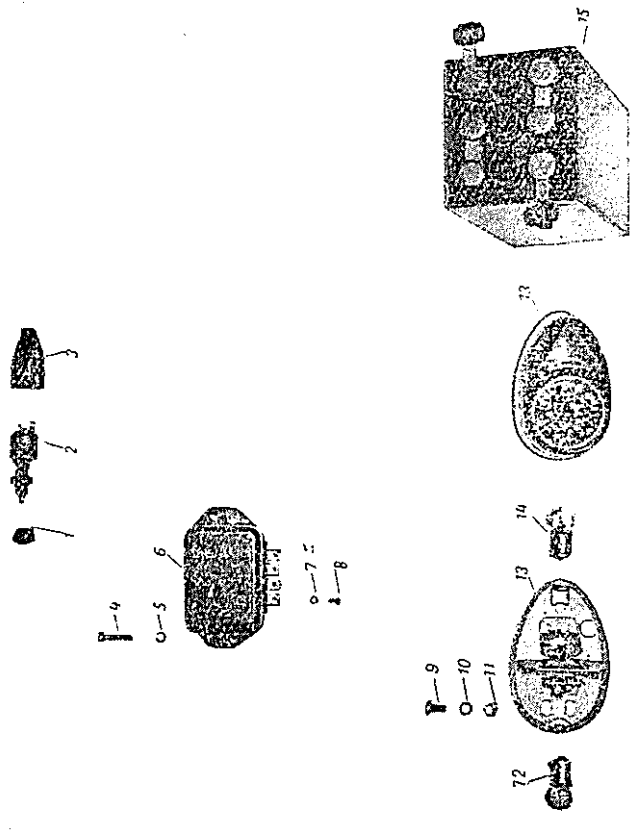


Fig. 31

No. in Fig.	Part No.	Description	Quantity
-------------	----------	-------------	----------

Relay-regulator unit, tail lamp, storage battery, and stop signal switch, Fig. 32

6	56.c6.32	Relay-regulator unit	1
7	49.IIIΓ-1	Spring washer	1
8	49.B-12	Bunch screw	1
13	ΦK-1	Tail lamp, complete	1
14	A-17	Tail lamp bulb	1
12	A-18	Stop signal bulb	1
15	3MT-7	Storage battery	1
	56.c6.38	Stop signal switch, complete	1
2	56.c6.38-1	Body with panel, complete	1
1	56.c6.38-4	Cap with end nipple	1
3	56.38-12	Cap	1
4	49.B-21	Relay-regulator unit screw	2
5	49.IIIΓ-3	Relay-regulator unit screw spring washer	2
9	49.B-1	Tail lamp bolt	3
10	49.Γ-2	Tail lamp bolt nut	3
11	49.IIIΓ-4	Tail lamp bolt spring washer	3

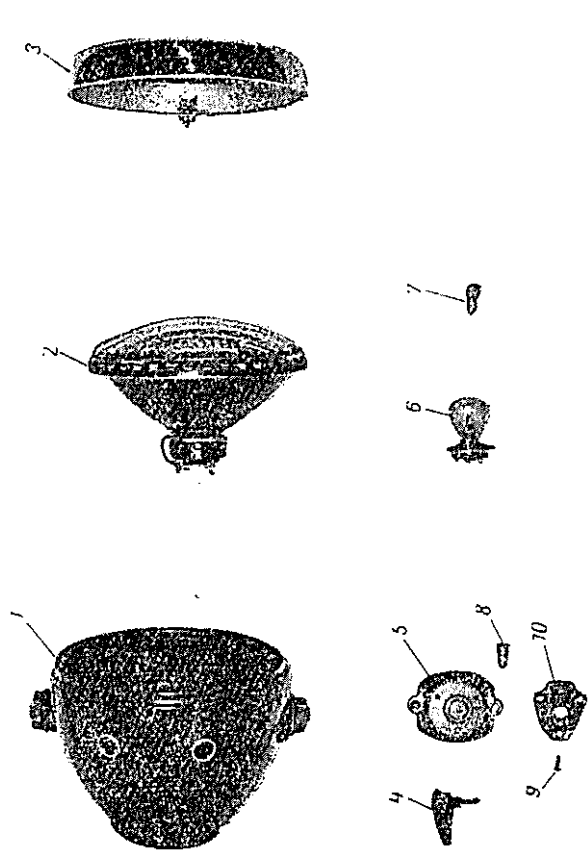


Fig. 32

No. in Fig.	Part No.	Description	Quantity
-------------	----------	-------------	----------

Headlamp and main switch, Fig. 33

1	ФГ6-3711000-Б	Headlamp, complete, with switch and bulbs	1
2	ФГ6-3711100-Г	Headlamp body	1
3	ФГ6-3711200	Headlamp lens	1
5	ФГ6-3711300-Б	Headlamp rim	1
5	ФГ6-3711400-Б	Main switch	1
4	56.c6.33-2	Ignition key	1
6	A-7 ГОСТ 2023-50	Bulb 6 V, 32±21 c.p.	1
7	A16 or A19 ГОСТ 2023-50	Bulb 6 V, 1 or 2 c.p.	2
8	TV No. 1-3-104	Alarm lamp А35, 6 V, 1 c.p.	1
10	56.33-1-1	Switch cover, complete	1
9	56.0-22	Switch screw	3

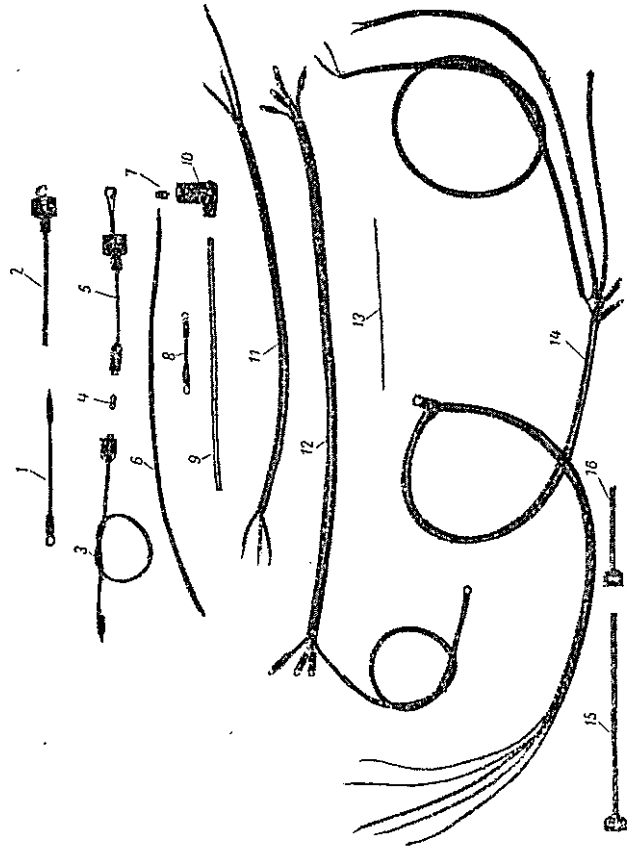


Fig. 34

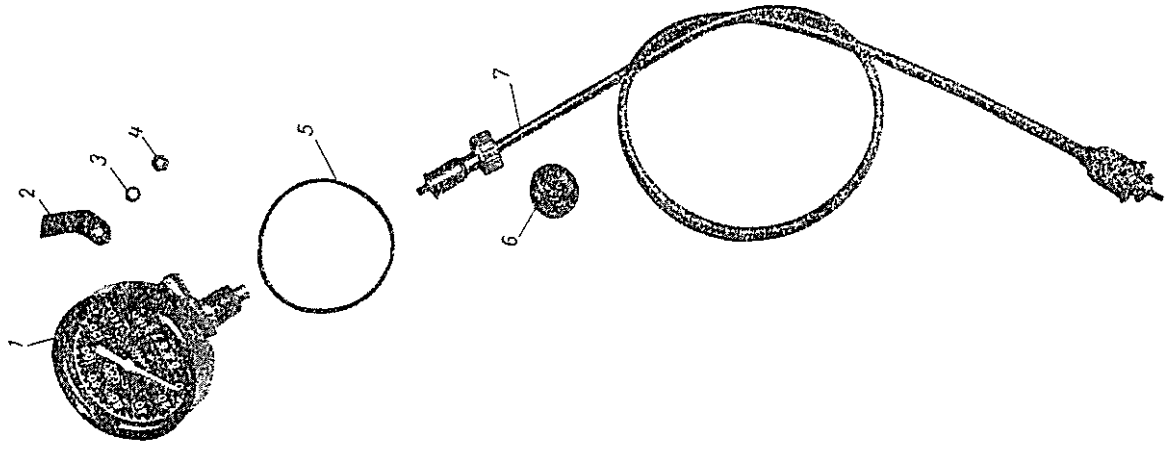


Fig. 35

No. in Fig.	Part No.	Description	Quantity
-------------	----------	-------------	----------

Wires,
Fig. 34

9	56.24-1	High tension wire	1
10	49.24-101	Spark plug cap	1
7	49.24-111	Spark plug cap nipple with latch	1
5	56.c6.24-1-1	Battery "Minus" wire with caps	1
3	56.c6.24-3	Battery "Minus" wire with fuse cap	1
1	56.c6.24-6	"Plus" terminal, complete	1
2	56.c6.24-4	"Plus" plug socket, complete	1
12	56.c6.24-8	Generator wire bunch, complete	1
11	56.24-9	Light switch wire bunch, complete	1
14	56.c6.24-10-2	Main wire bunch	1
6	56.c6.24-11	"Horn-button" wire	1
8	56.c6.24-12	Horn wire	1
4	1202c6.40	Fuse	1
13	56.24-7	Parking lamp wire	1
15	49.0-5	Wire and cable clip	3
16	49.0-17	Wire clip	2

SPEEDOMETER,

Fig. 35

No. in Fig.	Part No.	Description	Quantity
1	CD-111	Speedometer	1
2	CIH-8A	Speedometer holder	2
5	49.0-11	Speedometer gasket	1
6	49.0-12	Speedometer bush	1
4	49.0-13	Speedometer nut	2
3	49.III-4	Speedometer spring washer	2
7	CK-1B66-	Speedometer flexible shaft	1
	3802600		

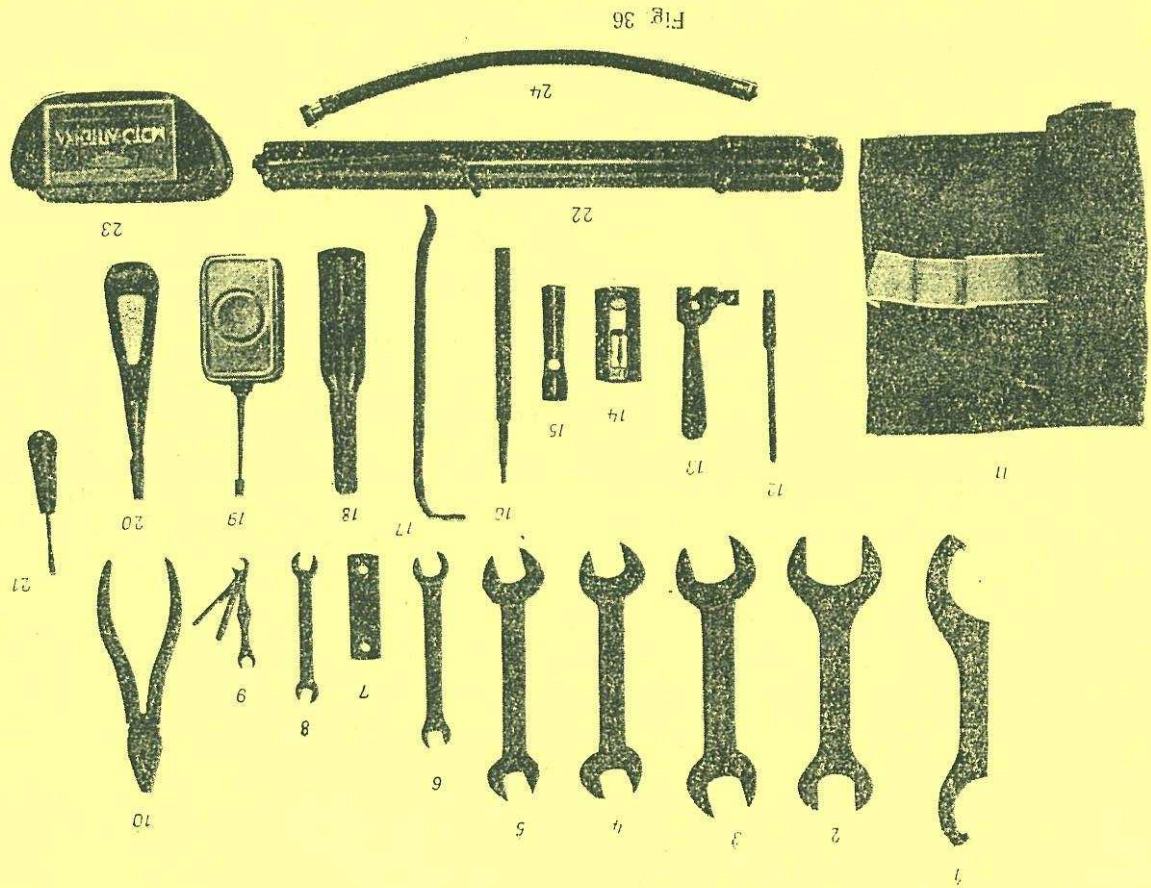


Fig. 36

TOOLS AND ACCESSORIES,

Fig. 88

No. in Fig.	Part No.	Description	Quantity
9	49.c6.25-1-1	Magneto spanner with feeler gauge	1
13	49.c6.25-2	Chain removing screw clamp	1
10	49.c6.25-4	Combination pliers	1
14	49.25-10-1	Decompressor and spark plug spanner	1
11	49.c6.25-8	Tool bag	1
21	49.c6.25-9-1	Small screw driver	1
12	49.25-15	Generator armature remover ..	1
17	49.25-16-1	Tire iron	3
20	49.25-18	Screw driver	1
2	49.25-19	Spanner 36×24	1
3	49.25-20	Spanner 22×27	1
4	49.25-21	Spanner 17×19	1
5	49.25-22	Spanner 14×17	1
6	49.25-23	Spanner 9×11	1
15	49.25-32	Cap spanner	1
1	49.25-35	Double end spanner	1
16	49.25-36	Front axle tool handle	1
8	49.25-40	Carburettor and spoke nipple spanner	1
7	56.25-41	Cylinder head spanner	1
19	49.c6.26-4	Fuel injector	1
18	c6.27-6ИЖ49	Lubrication gun	1
22	49.c6.28-3	Pump	1
24	49.c6.28-6	Pump hose, complete	1
23		Repair kit	1

Vneshtorgizdat. Order No. 21216/682. Resp. Semenov M. I., Urjupina L. M.,
Orlova G. M., Bronzova I. A.